

FUEL SUPPLY	FS
FUEL RETURN	FR
VENT	VENT
PRESSURE	ST1
RETURN	ST2
P1	LOW PRESSURE
HO	MOTOR FLUSH RET
WD2	HYDRO PORT B
WD1	HYDRO PORT A
V1	MOTOR CASE DR
LV2/ST2	
HO	HIGH PRESSURE

Optional Clam Bunk	
LOAD SENSE	LS
PRESSURE	ST1
RETURN	ST2

NOTE: RESERVOIR LOCATED ABOVE PUMP  
PRESSURIZED RESERVOIR  
VENT BEFORE SERVICING.

HYD OIL RESERVOIR

AA4VG125EP

AA11VL0145DRS

FUNK - .787 : 1 INCREASE

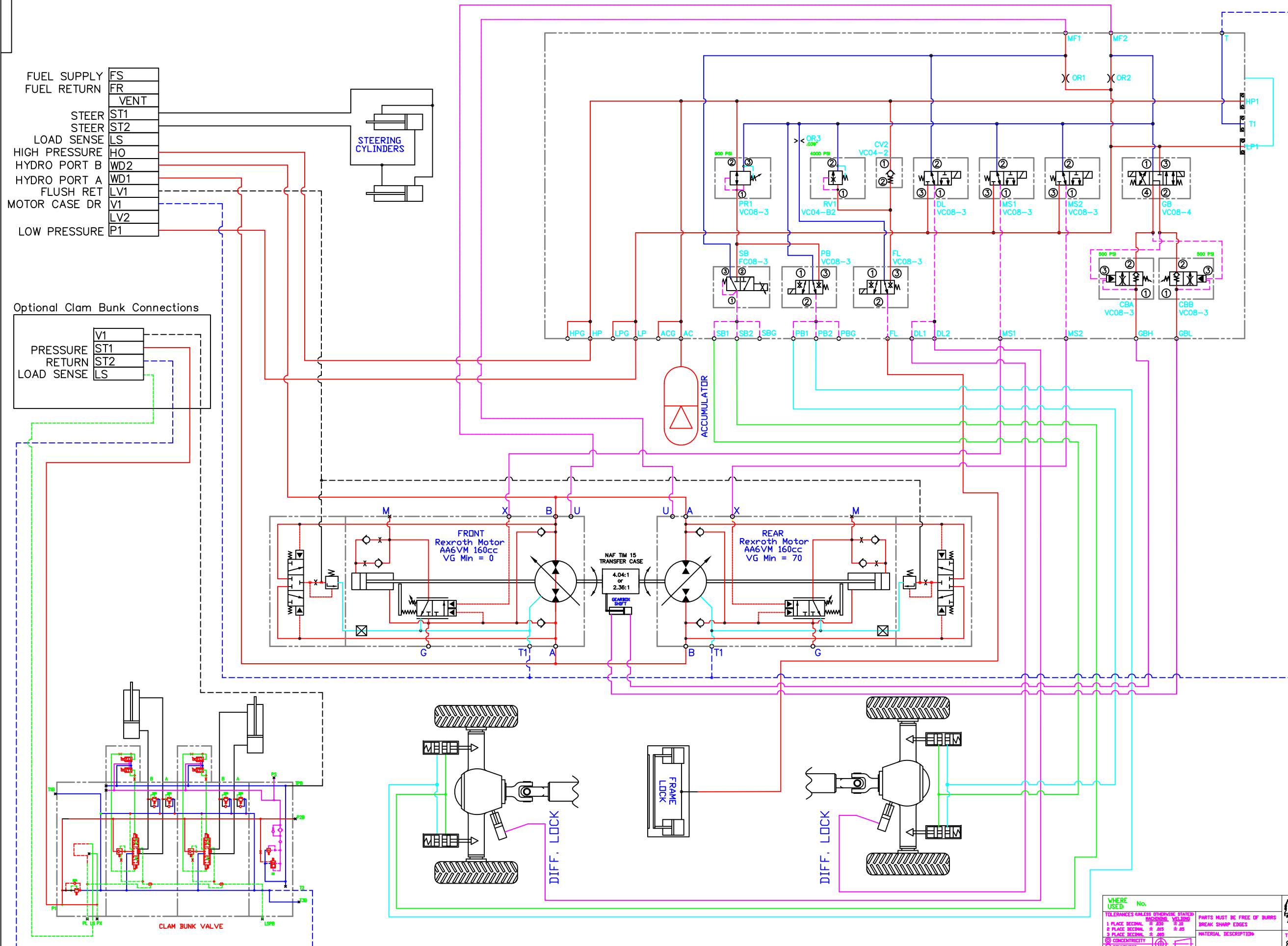
<p>WHERE USED:</p> <p>1 PLACE DECIMAL ± .005 ± .01</p> <p>2 PLACE DECIMAL ± .015 ± .02</p> <p>3 PLACE DECIMAL ± .025 ± .03</p> <p>CONCENTRICITY</p> <p>ROUNDNESS</p> <p>PARALLELISM</p> <p>FLATNESS</p> <p>CYLINDRICITY</p> <p>POSITION</p> <p>PERPENDICULARITY</p>	<p>No.</p> <p>INCHES</p> <p>MILLIMETERS</p> <p>± .005</p> <p>± .01</p> <p>± .02</p> <p>± .03</p> <p>± .04</p> <p>± .05</p> <p>± .06</p> <p>± .07</p> <p>± .08</p> <p>± .09</p> <p>± .10</p> <p>± .12</p> <p>± .15</p> <p>± .20</p> <p>± .25</p> <p>± .30</p> <p>± .35</p> <p>± .40</p> <p>± .45</p> <p>± .50</p> <p>± .60</p> <p>± .70</p> <p>± .80</p> <p>± .90</p> <p>± 1.00</p> <p>± 1.20</p> <p>± 1.50</p> <p>± 2.00</p> <p>± 2.50</p> <p>± 3.00</p> <p>± 4.00</p> <p>± 5.00</p> <p>± 6.00</p> <p>± 8.00</p> <p>± 10.00</p> <p>± 12.00</p> <p>± 15.00</p> <p>± 20.00</p> <p>± 25.00</p> <p>± 30.00</p> <p>± 40.00</p> <p>± 50.00</p> <p>± 60.00</p> <p>± 80.00</p> <p>± 100.00</p> <p>± 120.00</p> <p>± 150.00</p> <p>± 200.00</p> <p>± 250.00</p> <p>± 300.00</p> <p>± 400.00</p> <p>± 500.00</p> <p>± 600.00</p> <p>± 800.00</p> <p>± 1000.00</p>	<p>PARTS MUST BE FREE OF BURRS BREAK SHARP EDGES</p> <p>MATERIAL DESCRIPTION</p> <p>EXPERIMENTAL No.</p>	<p><b>TimberPro, Inc</b></p> <p>1407 INDUSTRIAL DRIVE SHAWAND, WISCONSIN 54166</p> <p>TITLE: 830B HYDRAULIC SCHEMATIC - UPPER</p> <p>DRAWN BY: JBH DATE: 02/01/10 SCALE: NONE</p> <p>SHEET: 1 OF 2 FIN. VIT.</p>
---	---	--	--

THIS DRAWING IS THE PROPERTY  
OF TIMBERPRO, LLC. ANY REPRODUCTION  
OF THIS DRAWING, IN FULL OR IN PART,  
OR DISSEMINATION OF ITS CONTENTS  
WITHOUT WRITTEN CONSENT FROM  
TIMBERPRO, LLC IS STRICTLY PROHIBITED.

FUEL SUPPLY FS  
 FUEL RETURN FR  
 VENT VENT  
 STEER ST1  
 STEER ST2  
 LOAD SENSE LS  
 HIGH PRESSURE HO  
 HYDRO PORT B WD2  
 HYDRO PORT A WD1  
 FLUSH RET LV1  
 MOTOR CASE DR V1  
 LV2  
 LOW PRESSURE P1

Optional Clam Bunk Connections

V1  
 PRESSURE ST1  
 RETURN ST2  
 LOAD SENSE LS



THIS DRAWING IS THE PROPERTY OF TIMBERPRO, LLC. ANY REPRODUCTION OF THIS DRAWING, IN FULL OR IN PART, OR DISCLOSURE OF ITS CONTENTS WITHOUT WRITTEN CONSENT FROM TIMBERPRO, LLC IS STRICTLY PROHIBITED.

WHERE USED	No.
TOLERANCES UNLESS OTHERWISE STATED	FRACTIONAL DECIMALS
1 PLACE DECIMAL	± .030 ± .030
2 PLACE DECIMAL	± .005 ± .005
3 PLACE DECIMAL	± .001 ± .001
PARTS MUST BE FREE OF BURRS BREAK SHARP EDGES	
MATERIAL DESCRIPTION	
EXPERIMENTAL No.	

**TimberPro, Inc**  
 1407 INDUSTRIAL DRIVE  
 SHAWAND, WISCONSIN 54166

TITLE: 830B HYDRAULIC SCHEMATIC - LOWER  
 DRAWN BY: JBH DATE: 03-01-11 SCALE: NONE  
 SHEET: 2 of 2 FOL V1

REV.	DESCRIPTION	BY	DATE