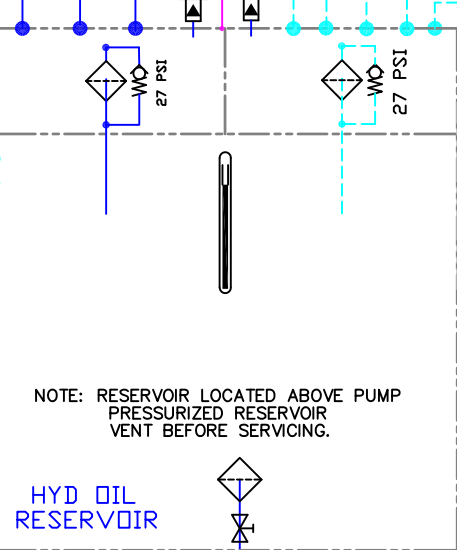
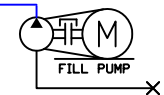
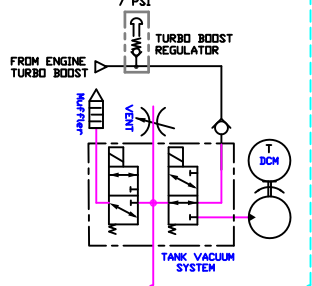


CHARGE
WHEEL DRIVE
IMPLEMENT

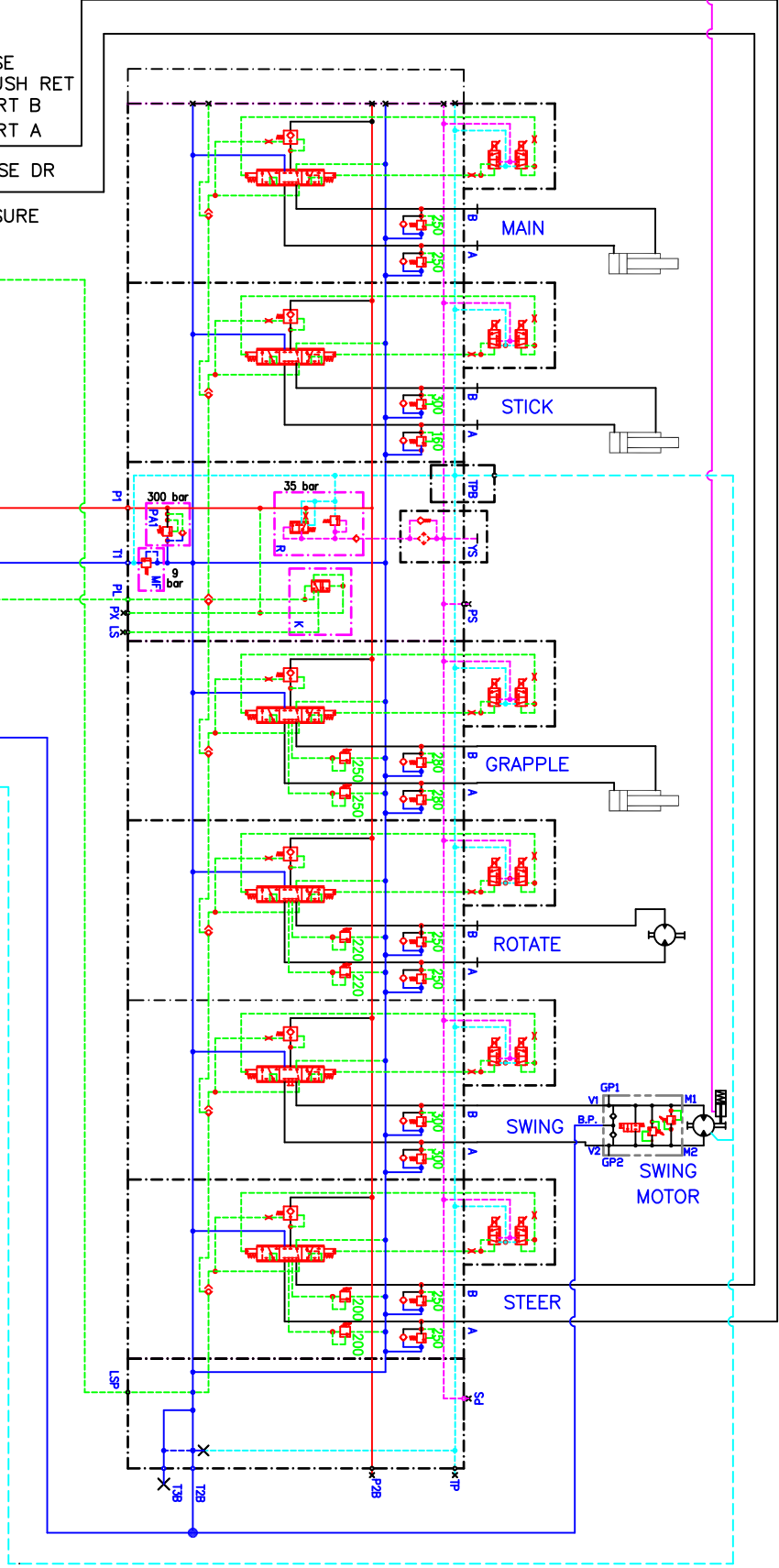
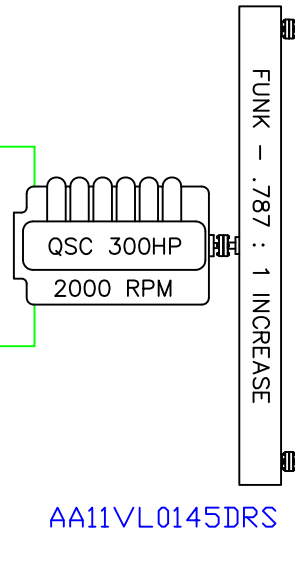
CHARGE/FAN MANIFOLD

FUEL SUPPLY FS
FUEL RETURN FR
VENT
ST1 PRESSURE
ST2 RETURN
LS LOAD SENSE
HO MOTOR FLUSH RET
WD2 HYDRO PORT B
WD1 HYDRO PORT A
STEER A LV1/ST1
V1 MOTOR CASE DR
STEER B LV2/ST2
P1 LSM PRESSURE



AA4VG125EP

AA11VL0145DRS



THIS DRAWING IS THE PROPERTY
OF TIMBERPRO, LLC. ANY REPRODUCTION
OF THIS DRAWING, IN FULL OR IN PART,
OR DISCLOSURE OF ITS CONTENTS
WITHOUT WRITTEN CONSENT FROM
TIMBERPRO, LLC IS STRICTLY PROHIBITED.

WHERE USED	No.
1 PLACE DECIMAL	± .008 ± .01
2 PLACE DECIMAL	± .005 ± .005
3 PLACE DECIMAL	± .005 ± .005
PARTS MUST BE FREE OF BURRS BREAK SHARP EDGES	
MATERIAL DESCRIPTION	
⊙ CONCENTRICITY	⊙ ANGULARITY
⊘ ROUNDNESS	⊘ PARALLELISM
⊘ FLATNESS	⊘ PERPENDICULARITY
⊘ CYLINDRICITY	⊘ STRAIGHTNESS
⊘ POSITION	⊘ REFERENCE
⊘ PERIODICITY	⊘ DIAMETER

TimberPro, Inc
1407 INDUSTRIAL DRIVE
SHAWANO, WISCONSIN 54166

TITLE: 830B HYDRAULIC SCHEMATIC - UPPER
DRAWN BY: JBH
DATE: 02/01/10
SCALE: NONE
SHEET: 1 OF 2
FIN. VTI:

