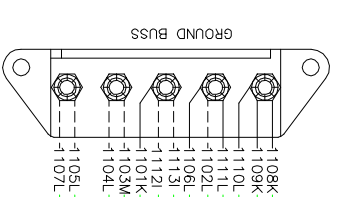


SUFFIX LETTER	WIRE SIZE	LOAD RANGE
H	6	40-49
I	8	30-39
J	10	20-29
K	12	15-19
L	14	10-14
M	16	5-9
N	18	3-4
O	20	1-2

Wire Legend	
1100	Ground
1200	12 Volt
1500	Functions
1700	Heat - AC
2000	Battery 24 Volt
2200	Signals
2300	Ignition Signals
2400	24 Volt
2500	Switched Acc
2600	Switched Ignition

PAGE 2 UPPER DASH CONNECTOR	
1	2200N
2	2201N
3	2407L
4	2203N
5	2204N
6	1101
7	2502M
8	2205N
9	2206N
10	2207N
11	2208N
12	2209N
13	2210N
14	2211N
15	2212N
16	2213N
17	2214N
18	2505M
19	2300M
20	2215N

DIAGNOSTIC CONNECTOR	
1	2408M
2	1111L
3	2408M
4	1111L
5	2408M
6	1111L
7	2408M
8	1111L
9	2408M
10	1111L
11	2408M
12	1111L
13	2408M
14	1111L
15	2408M
16	1111L
17	2408M
18	1111L
19	2408M
20	1111L
21	2408M
22	1111L
23	2408M
24	1111L
25	2408M
26	1111L
27	2408M
28	1111L
29	2408M
30	1111L



TO IOAN SYSTEM PAGES 6 TO 9	
A	2200N
B	1503L
C	2201N
D	2601M
E	2607L
F	1109K
G	2201N
H	2202N
I	2202N
J	2606N
K	2605N
L	2401N
M	2216N
N	2212N
P	2601M
R	2603M
S	2603M
T	2603M
U	2603M
V	2603M
W	J1939 HIGH (+)
X	J1939 LOW (-)

PAGE 3 - HEATER - A/C UNIT

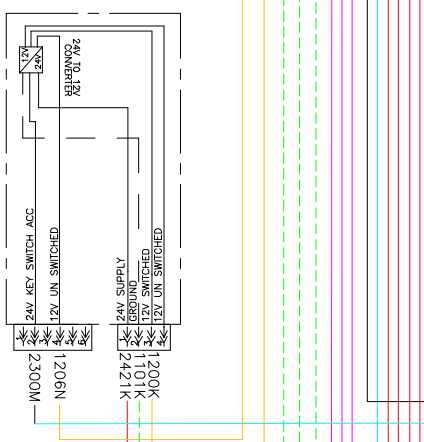
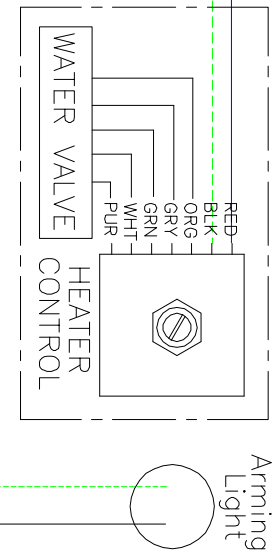
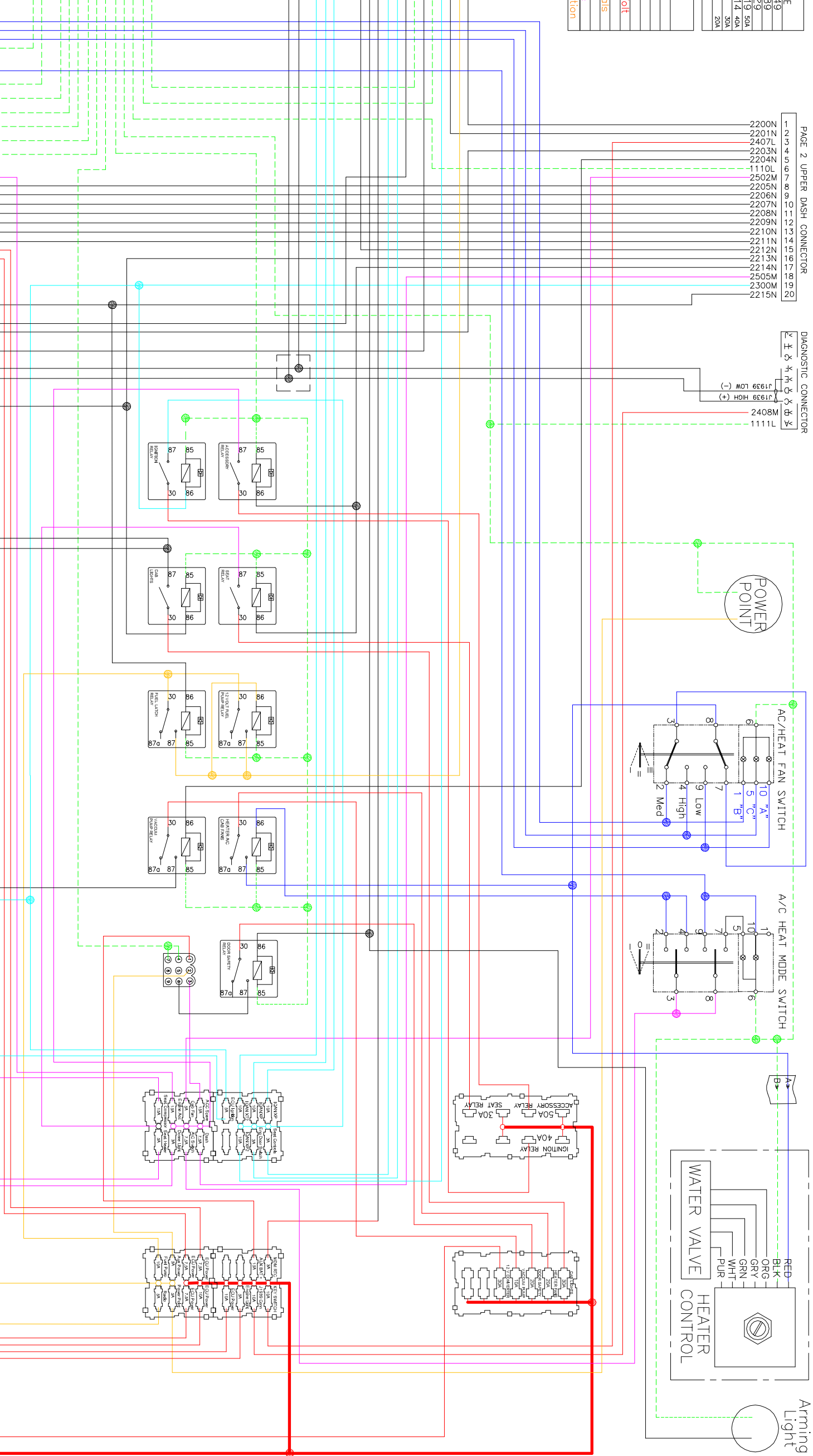
1	1701L
2	1702L
3	1703L
4	1107L
5	1704M
6	1105M

PAGE 4 & 5 ENGINE COMPARTMENT

1	2503L
2	2205N
3	2206N
4	2207N
5	2208N
6	2209N
7	2210N
8	2211N
9	2405N
10	2406N
11	2412N
12	2411M
13	2410M
14	2409N
15	2215N
16	2301N
17	2220N
18	2203N
19	1504L
20	2221N
21	2221N
22	1504L
23	2221N
24	J1939 HIGH (+)
25	J1939 LOW (-)
26	1705M
27	2213N
28	1705M
29	2213N

PAGE 3 LOWER CAB HARNESS

A	1105L
B	1105L
C	1501L
D	1501L
E	1104L
F	2504L
G	1104L
H	2508M
I	1103L
J	2507M
K	1204N
L	1105L
M	1204M
N	1206N



POWER CONNECTOR	
1	1112
2	1113
3	2200G

THIS SCHEMATIC IS THE PROPERTY OF TIMBERPRO, LLC. IT IS TO BE USED ONLY FOR THE VEHICLE IDENTIFIED HEREIN. ANY REPRODUCTION OR DISTRIBUTION OF THIS DOCUMENT, IN FULL OR IN PART, WITHOUT WRITTEN CONSENT FROM TIMBERPRO, LLC, IS STRICTLY PROHIBITED.

WHERE USED: NO. TOLERANCES UNLESS SPECIFIED: DIMENSIONS IN PARENTHESES. PARTS MUST BE FREE OF BURRS. BREAK SHARP EDGES. MATERIAL DESCRIPTION: TITLE ELECTRICAL SCHEMATIC. Cab Load Center - 830,840,&630. DRAWN BY: JBH. DATE: 01/30/06. SHEET: 1 OF 9.

TimberPro, LLC
1407 INDUSTRIAL DRIVE
SHAWANO, WISCONSIN 54166
830.840.830