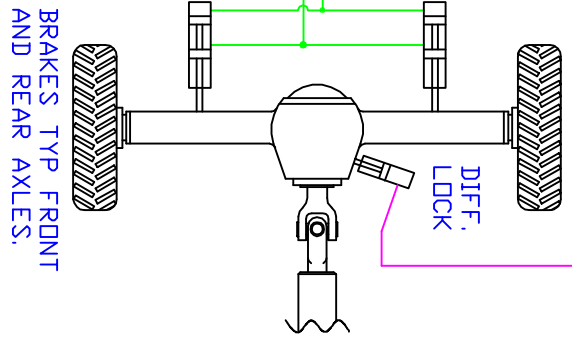
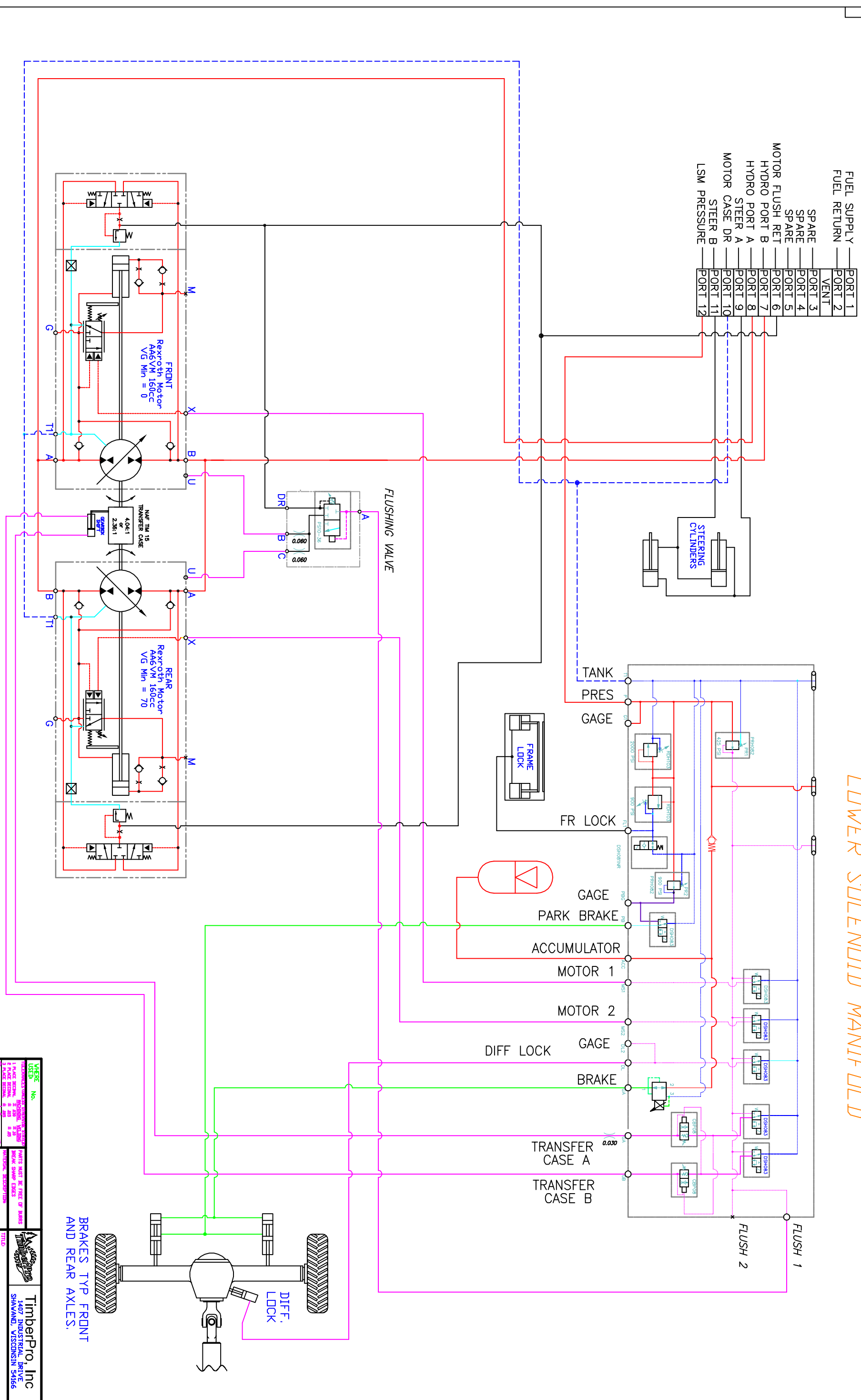


LOWER SOLENOID MANIFOLD



THIS DRAWING IS THE PROPERTY OF TIMBERPRO, INC. AND IS NOT TO BE REPRODUCED OR TRANSMITTED IN ANY FORM OR BY ANY MEANS, ELECTRONIC OR MECHANICAL, INCLUDING PHOTOCOPYING, RECORDING, OR BY ANY INFORMATION STORAGE AND RETRIEVAL SYSTEM, WITHOUT THE WRITTEN PERMISSION OF TIMBERPRO, INC.

REV	DESCRIPTION	BY	DATE
1	ISSUED FOR MANUFACTURE	JBH	02-24-05
2	REVISED TO ADD DIFF LOCK	JBH	02-24-05
3	REVISED TO ADD FLUSH PORTS	JBH	02-24-05
4	REVISED TO ADD MOTOR CASE DR	JBH	02-24-05
5	REVISED TO ADD STEER PORTS	JBH	02-24-05
6	REVISED TO ADD FUEL SUPPLY AND RETURN	JBH	02-24-05
7	REVISED TO ADD SPARE PORTS	JBH	02-24-05
8	REVISED TO ADD MOTOR FLUSH RET	JBH	02-24-05
9	REVISED TO ADD HYDRO PORTS	JBH	02-24-05
10	REVISED TO ADD MOTOR CASE DR	JBH	02-24-05
11	REVISED TO ADD STEER PORTS	JBH	02-24-05
12	REVISED TO ADD FUEL SUPPLY AND RETURN	JBH	02-24-05
13	REVISED TO ADD SPARE PORTS	JBH	02-24-05
14	REVISED TO ADD MOTOR FLUSH RET	JBH	02-24-05
15	REVISED TO ADD HYDRO PORTS	JBH	02-24-05
16	REVISED TO ADD MOTOR CASE DR	JBH	02-24-05
17	REVISED TO ADD STEER PORTS	JBH	02-24-05
18	REVISED TO ADD FUEL SUPPLY AND RETURN	JBH	02-24-05
19	REVISED TO ADD SPARE PORTS	JBH	02-24-05
20	REVISED TO ADD MOTOR FLUSH RET	JBH	02-24-05
21	REVISED TO ADD HYDRO PORTS	JBH	02-24-05
22	REVISED TO ADD MOTOR CASE DR	JBH	02-24-05
23	REVISED TO ADD STEER PORTS	JBH	02-24-05
24	REVISED TO ADD FUEL SUPPLY AND RETURN	JBH	02-24-05
25	REVISED TO ADD SPARE PORTS	JBH	02-24-05
26	REVISED TO ADD MOTOR FLUSH RET	JBH	02-24-05
27	REVISED TO ADD HYDRO PORTS	JBH	02-24-05
28	REVISED TO ADD MOTOR CASE DR	JBH	02-24-05
29	REVISED TO ADD STEER PORTS	JBH	02-24-05
30	REVISED TO ADD FUEL SUPPLY AND RETURN	JBH	02-24-05
31	REVISED TO ADD SPARE PORTS	JBH	02-24-05
32	REVISED TO ADD MOTOR FLUSH RET	JBH	02-24-05
33	REVISED TO ADD HYDRO PORTS	JBH	02-24-05
34	REVISED TO ADD MOTOR CASE DR	JBH	02-24-05
35	REVISED TO ADD STEER PORTS	JBH	02-24-05
36	REVISED TO ADD FUEL SUPPLY AND RETURN	JBH	02-24-05
37	REVISED TO ADD SPARE PORTS	JBH	02-24-05
38	REVISED TO ADD MOTOR FLUSH RET	JBH	02-24-05
39	REVISED TO ADD HYDRO PORTS	JBH	02-24-05
40	REVISED TO ADD MOTOR CASE DR	JBH	02-24-05
41	REVISED TO ADD STEER PORTS	JBH	02-24-05
42	REVISED TO ADD FUEL SUPPLY AND RETURN	JBH	02-24-05
43	REVISED TO ADD SPARE PORTS	JBH	02-24-05
44	REVISED TO ADD MOTOR FLUSH RET	JBH	02-24-05
45	REVISED TO ADD HYDRO PORTS	JBH	02-24-05
46	REVISED TO ADD MOTOR CASE DR	JBH	02-24-05
47	REVISED TO ADD STEER PORTS	JBH	02-24-05
48	REVISED TO ADD FUEL SUPPLY AND RETURN	JBH	02-24-05
49	REVISED TO ADD SPARE PORTS	JBH	02-24-05
50	REVISED TO ADD MOTOR FLUSH RET	JBH	02-24-05

TimberPro Inc
 1407 INDUSTRIAL PARK
 SHAWANO, WISCONSIN 54986

830 HYDRAULIC SCHEMATIC - LOWER

DATE: 02-24-05

SCALE: NONE

BY: JBH

DATE: 02-24-05

REV: 1