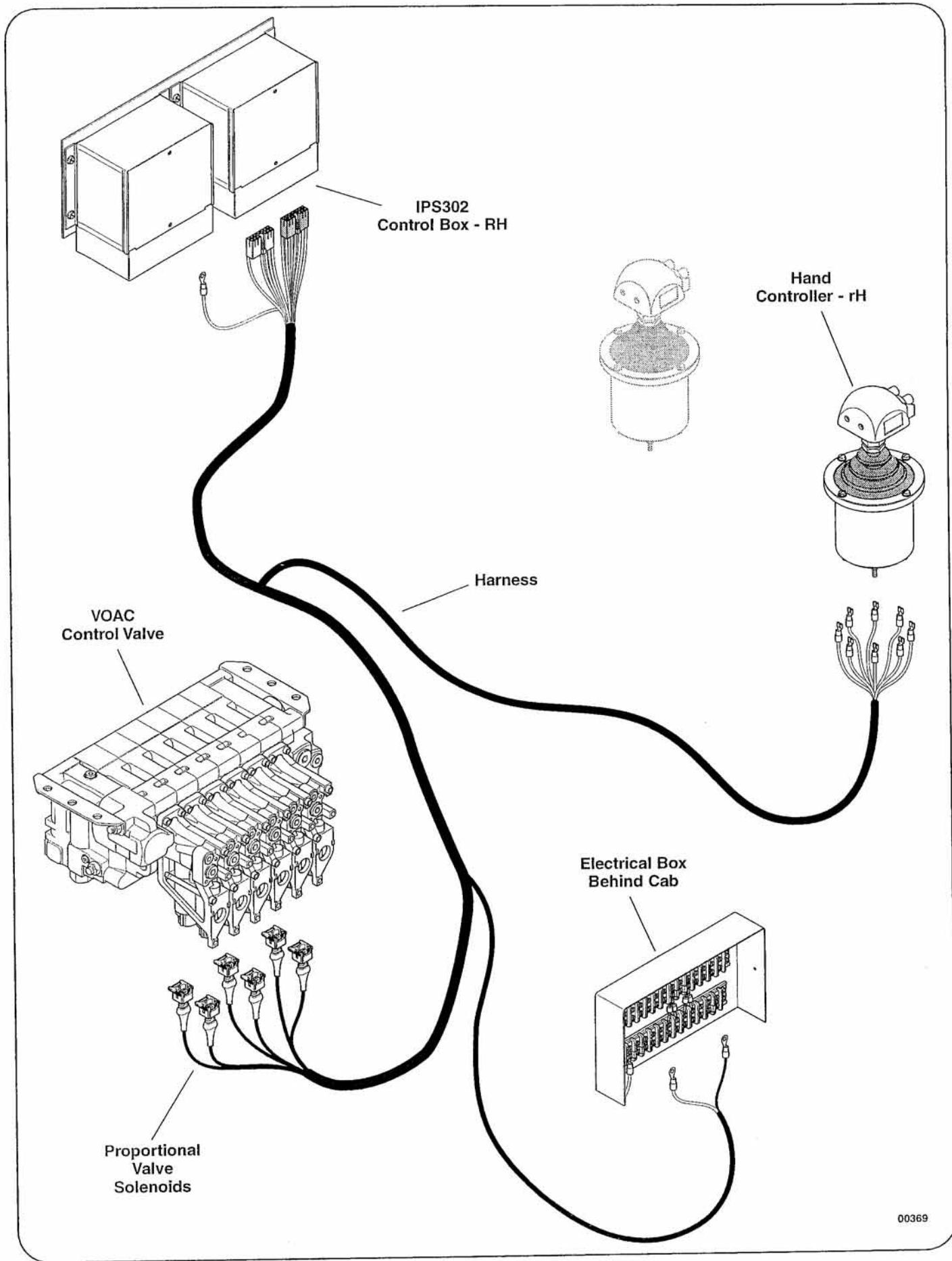


00369

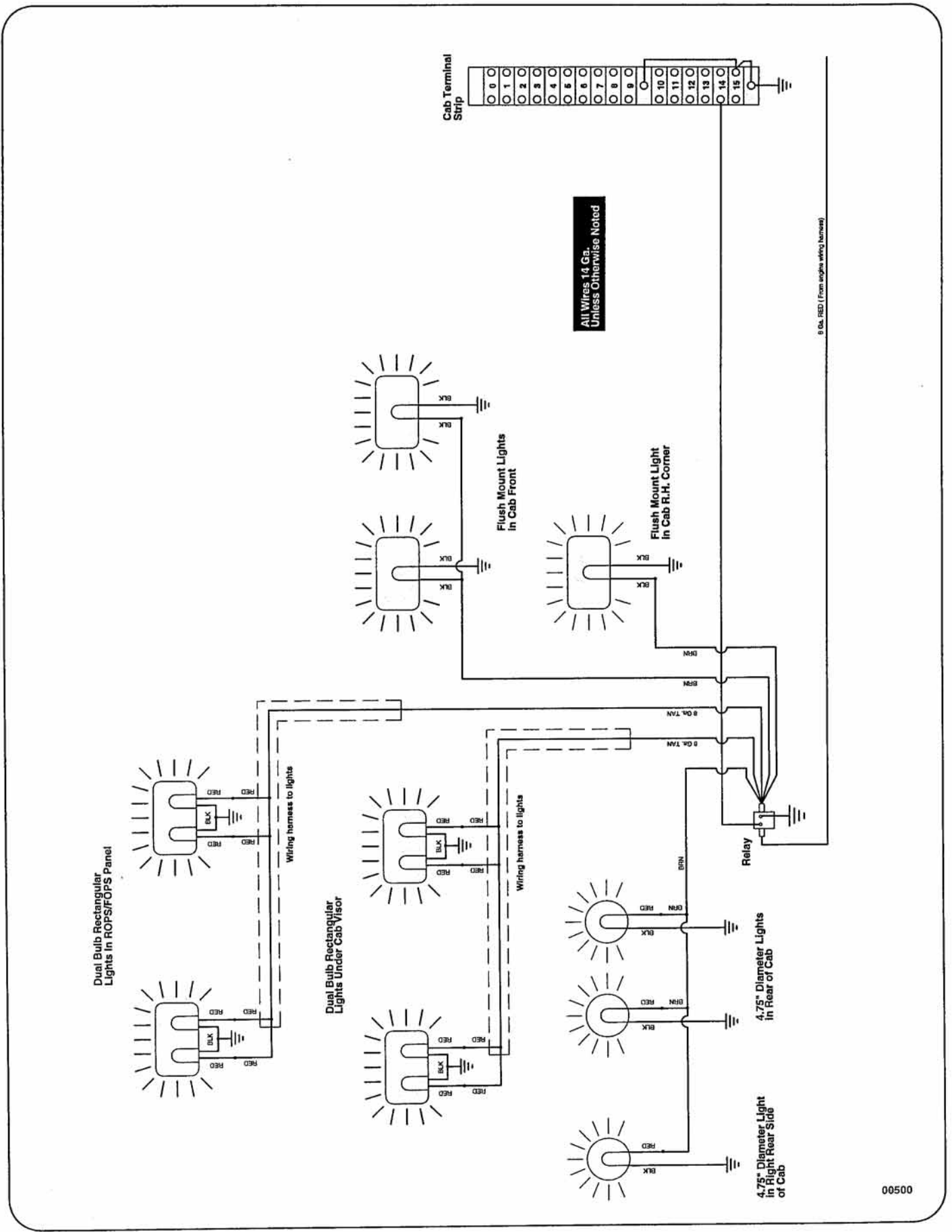
Figure 1: Simplified Electrical System Layout - LH Control Box



00369

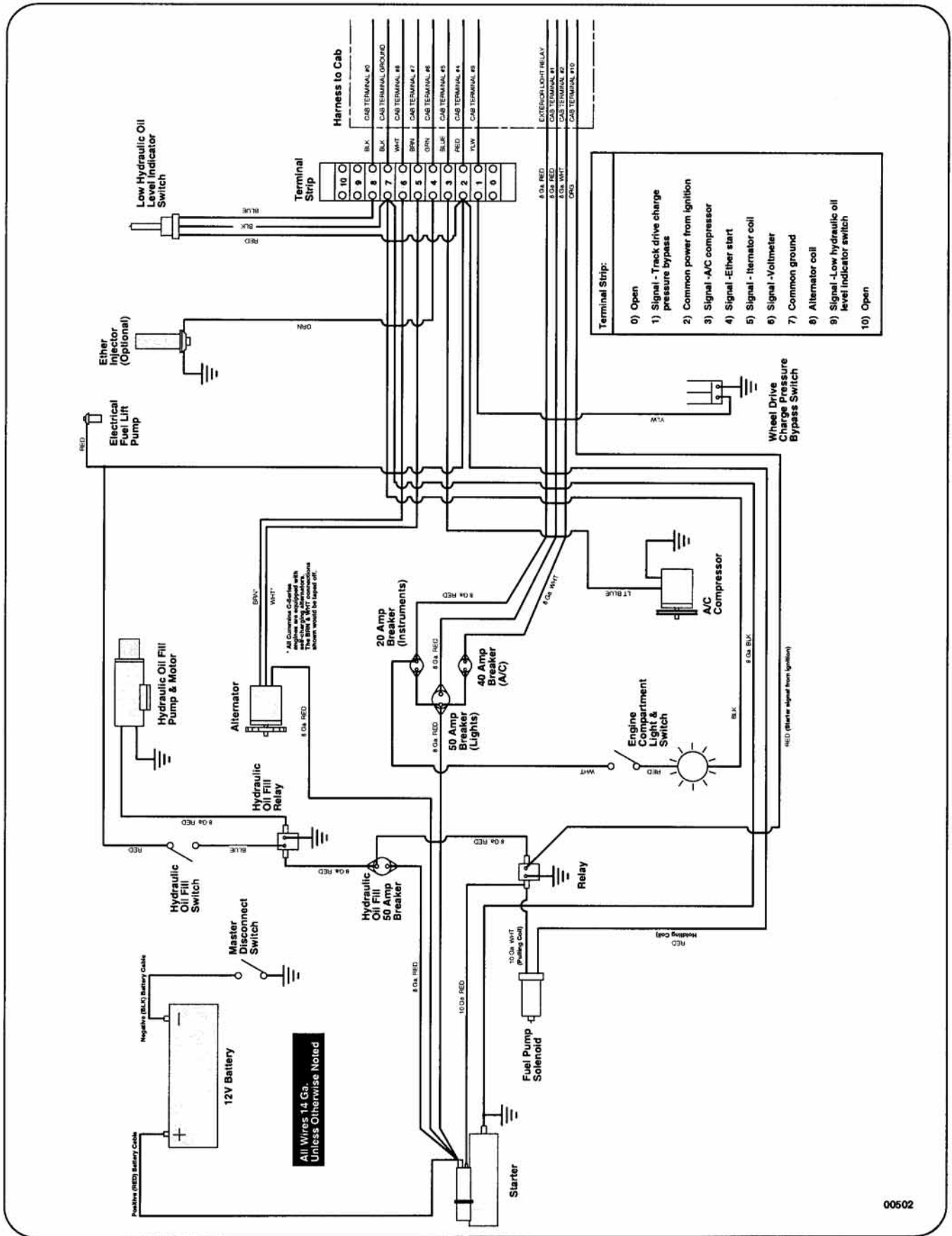
Figure 2: Simplified Electrical System Layout - RH Control Box

Exterior Lights Electrical Schematic

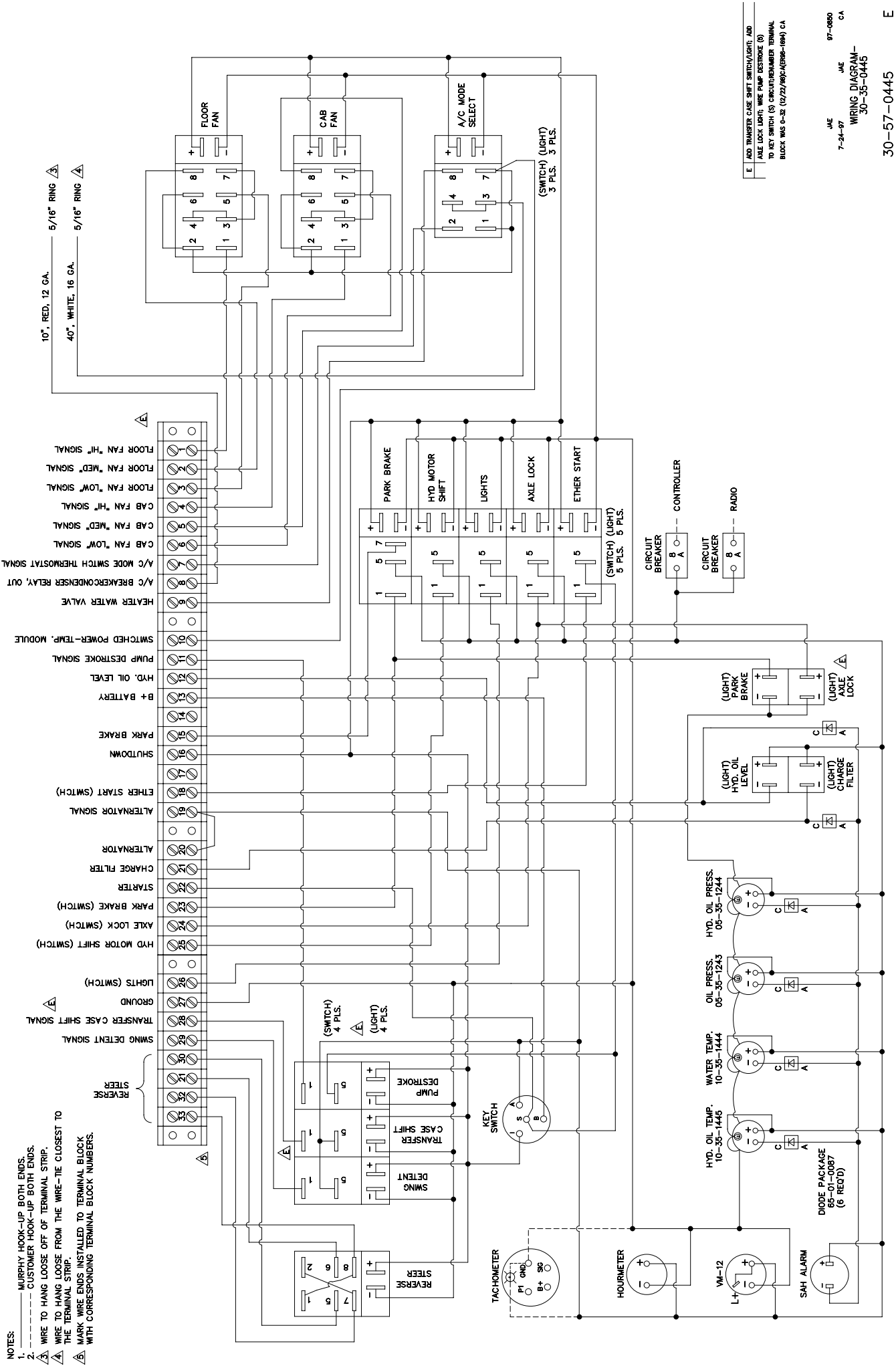


00500

Engine Electrical Schematic - Cummins 6C8.3-C260



- NOTES:
- MURPHY HOOK-UP BOTH ENDS.
 - CUSTOMER HOOK-UP BOTH ENDS.
 - WIRE TO HANG LOOSE OFF OF TERMINAL STRIP.
 - WIRE TO HANG LOOSE FROM THE WIRE-TIE CLOSEST TO THE TERMINAL STRIP.
 - MARK WIRE ENDS INSTALLED TO TERMINAL BLOCK WITH CORRESPONDING TERMINAL BLOCK NUMBERS.



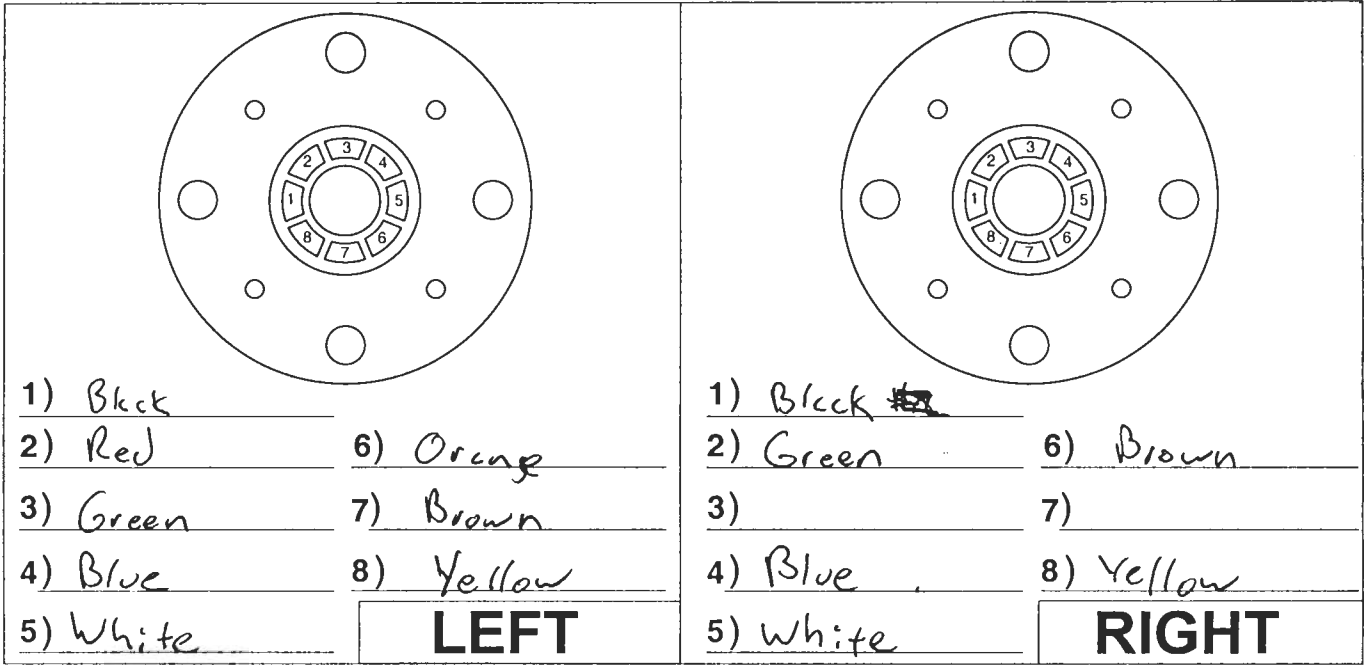
E ADD TRANSFER CASE SHIFT SWITCH/LIGHT, AND AXLE LOCK LIGHT, WIRE PUMP DESTROKE (P) TO KEY SWITCH (S) CIRCUIT/NUMBER TERMINAL BLOCK WAS 0-32 (12/22/80) CA (9809-184) CA

JAE 97-0680 CA
7-24-97 JAE
WIRING DIAGRAM-
30-35-0445

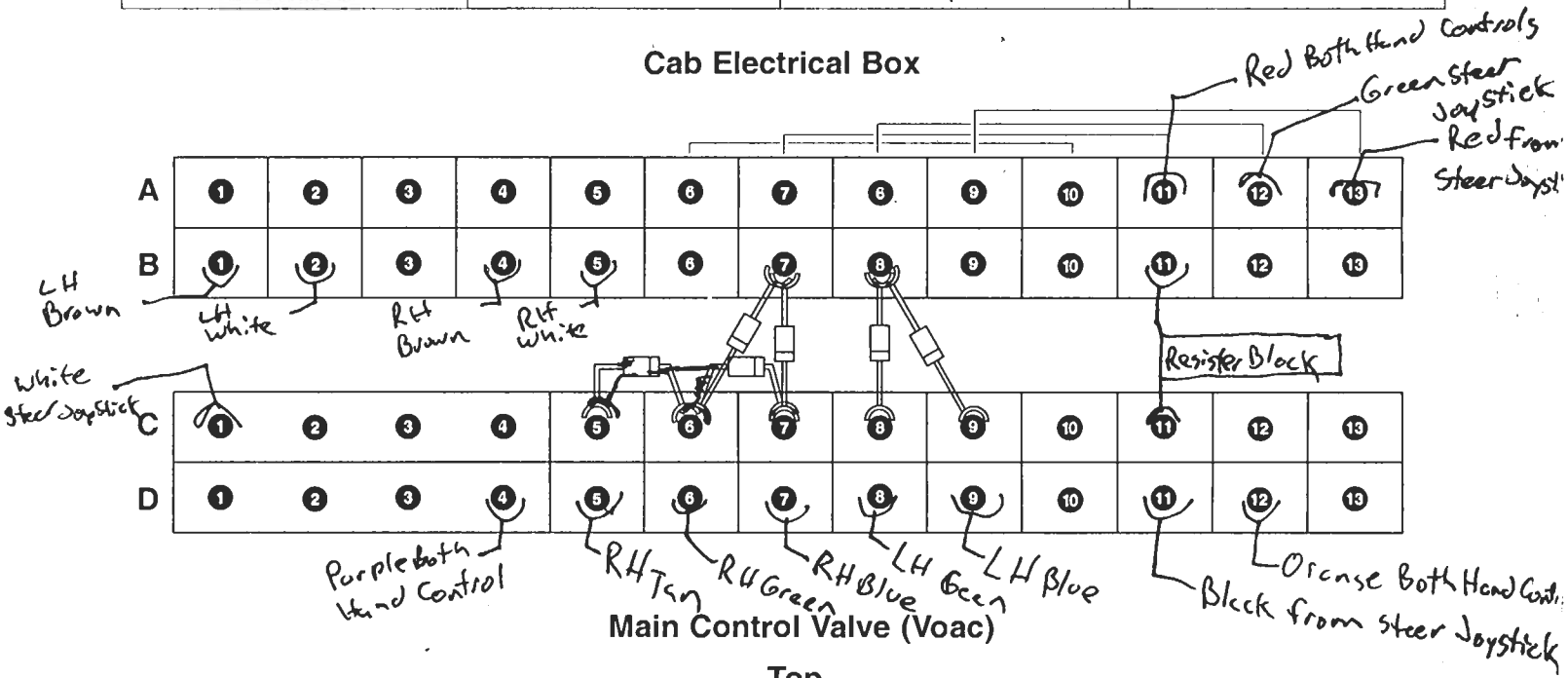
30-57-0445 E

Hand Controls

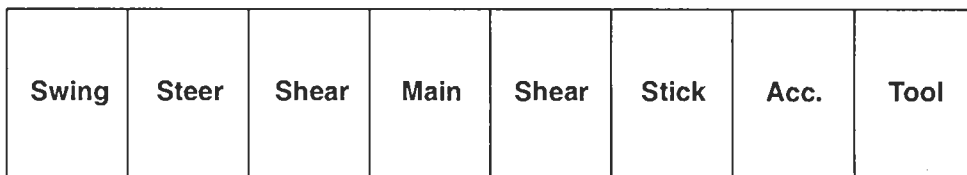
Hand Controls



Cab Electrical Box



Top



Bottom