

- FS FUEL SUPPLY
- FR FUEL RETURN
- WD2 HYDRO PORT B
- WD1 HYDRO PORT A
- V1 STEERING
- LV2 STEERING
- LS STEERING
- P1 HIGH PRESSURE
- V1 LOW PRESSURE
- HO MOTOR CASE DR
- ST1 MOTOR FLUSH RET
- ST2

NOTE: RESERVOIR LOCATED ABOVE PUMP  
PRESSURIZED RESERVOIR  
VENT BEFORE SERVICING.

**TimberPro, Inc**  
1407 INDUSTRIAL DRIVE  
SHAWANO, WISCONSIN 54186

**800C Series UPPER HYDRAULICS**

DESIGNED BY: JEFF HUNTINGTON  
DATE: 10/01/14

SCALE: NONE

REVISIONS:

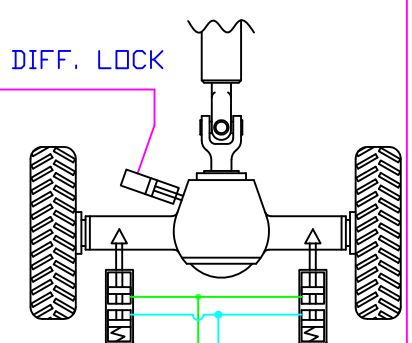
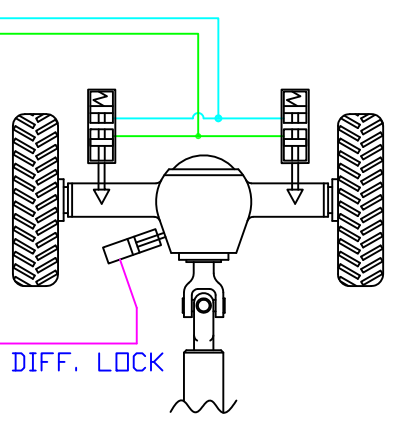
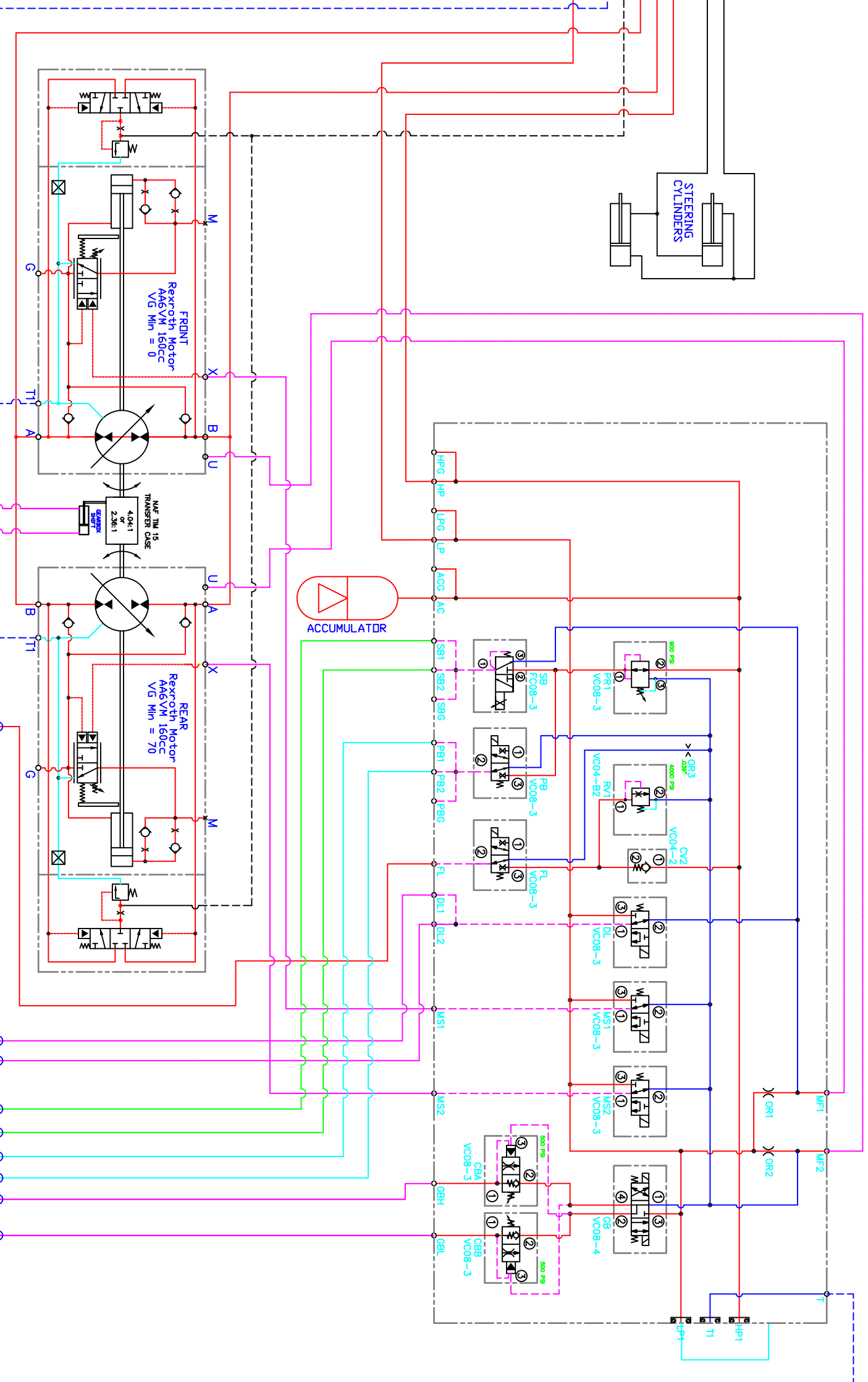
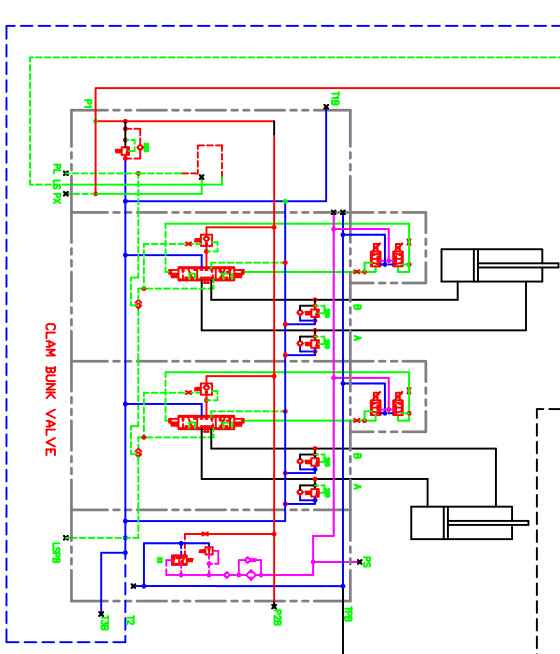
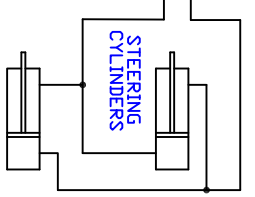
NO.	DATE	DESCRIPTION
1	DF 2	REVISED

LEGEND:

- 1 PLACE SYMBOL
- 2 PLACE SYMBOL
- 3 PLACE SYMBOL
- 4 PLACE SYMBOL
- 5 PLACE SYMBOL
- 6 PLACE SYMBOL
- 7 PLACE SYMBOL
- 8 PLACE SYMBOL
- 9 PLACE SYMBOL
- 10 PLACE SYMBOL
- 11 PLACE SYMBOL
- 12 PLACE SYMBOL
- 13 PLACE SYMBOL
- 14 PLACE SYMBOL
- 15 PLACE SYMBOL
- 16 PLACE SYMBOL
- 17 PLACE SYMBOL
- 18 PLACE SYMBOL
- 19 PLACE SYMBOL
- 20 PLACE SYMBOL
- 21 PLACE SYMBOL
- 22 PLACE SYMBOL
- 23 PLACE SYMBOL
- 24 PLACE SYMBOL
- 25 PLACE SYMBOL
- 26 PLACE SYMBOL
- 27 PLACE SYMBOL
- 28 PLACE SYMBOL
- 29 PLACE SYMBOL
- 30 PLACE SYMBOL
- 31 PLACE SYMBOL
- 32 PLACE SYMBOL
- 33 PLACE SYMBOL
- 34 PLACE SYMBOL
- 35 PLACE SYMBOL
- 36 PLACE SYMBOL
- 37 PLACE SYMBOL
- 38 PLACE SYMBOL
- 39 PLACE SYMBOL
- 40 PLACE SYMBOL
- 41 PLACE SYMBOL
- 42 PLACE SYMBOL
- 43 PLACE SYMBOL
- 44 PLACE SYMBOL
- 45 PLACE SYMBOL
- 46 PLACE SYMBOL
- 47 PLACE SYMBOL
- 48 PLACE SYMBOL
- 49 PLACE SYMBOL
- 50 PLACE SYMBOL
- 51 PLACE SYMBOL
- 52 PLACE SYMBOL
- 53 PLACE SYMBOL
- 54 PLACE SYMBOL
- 55 PLACE SYMBOL
- 56 PLACE SYMBOL
- 57 PLACE SYMBOL
- 58 PLACE SYMBOL
- 59 PLACE SYMBOL
- 60 PLACE SYMBOL
- 61 PLACE SYMBOL
- 62 PLACE SYMBOL
- 63 PLACE SYMBOL
- 64 PLACE SYMBOL
- 65 PLACE SYMBOL
- 66 PLACE SYMBOL
- 67 PLACE SYMBOL
- 68 PLACE SYMBOL
- 69 PLACE SYMBOL
- 70 PLACE SYMBOL
- 71 PLACE SYMBOL
- 72 PLACE SYMBOL
- 73 PLACE SYMBOL
- 74 PLACE SYMBOL
- 75 PLACE SYMBOL
- 76 PLACE SYMBOL
- 77 PLACE SYMBOL
- 78 PLACE SYMBOL
- 79 PLACE SYMBOL
- 80 PLACE SYMBOL
- 81 PLACE SYMBOL
- 82 PLACE SYMBOL
- 83 PLACE SYMBOL
- 84 PLACE SYMBOL
- 85 PLACE SYMBOL
- 86 PLACE SYMBOL
- 87 PLACE SYMBOL
- 88 PLACE SYMBOL
- 89 PLACE SYMBOL
- 90 PLACE SYMBOL
- 91 PLACE SYMBOL
- 92 PLACE SYMBOL
- 93 PLACE SYMBOL
- 94 PLACE SYMBOL
- 95 PLACE SYMBOL
- 96 PLACE SYMBOL
- 97 PLACE SYMBOL
- 98 PLACE SYMBOL
- 99 PLACE SYMBOL
- 100 PLACE SYMBOL

- FUEL SUPPLY FS
- FUEL RETURN FR
- VENT VENT
- STEER LV1
- STEER LV2
- STEER ST2
- HIGH PRESSURE LS
- HYDRO PORT B WD2
- HYDRO PORT A WD1
- FLUSH RET HO
- MOTOR CASE DR V1
- LOW PRESSURE P1

- Optional Clam Bunk Connections
- VI
  - ST1
  - ST2
  - LS



REVISIONS

REV	DESCRIPTION	BY	DATE
1			

**TimberPro, Inc**  
 1407 INDUSTRIAL DRIVE  
 SHAWANO, WISCONSIN 54166

TITLE: 800C HYDRAULIC SCHEMATIC - LOWER

DRAWN BY: JBH  
 CHECKED BY: JBH

DATE: 09-30-14

SCALE: NONE

PROJECT: 2062

THIS DRAWING IS THE PROPERTY OF TIMBERPRO, INC. AND IS NOT TO BE REPRODUCED OR COPIED IN ANY MANNER WITHOUT WRITTEN CONSENT FROM TIMBERPRO, INC. IN ANY MANNER.