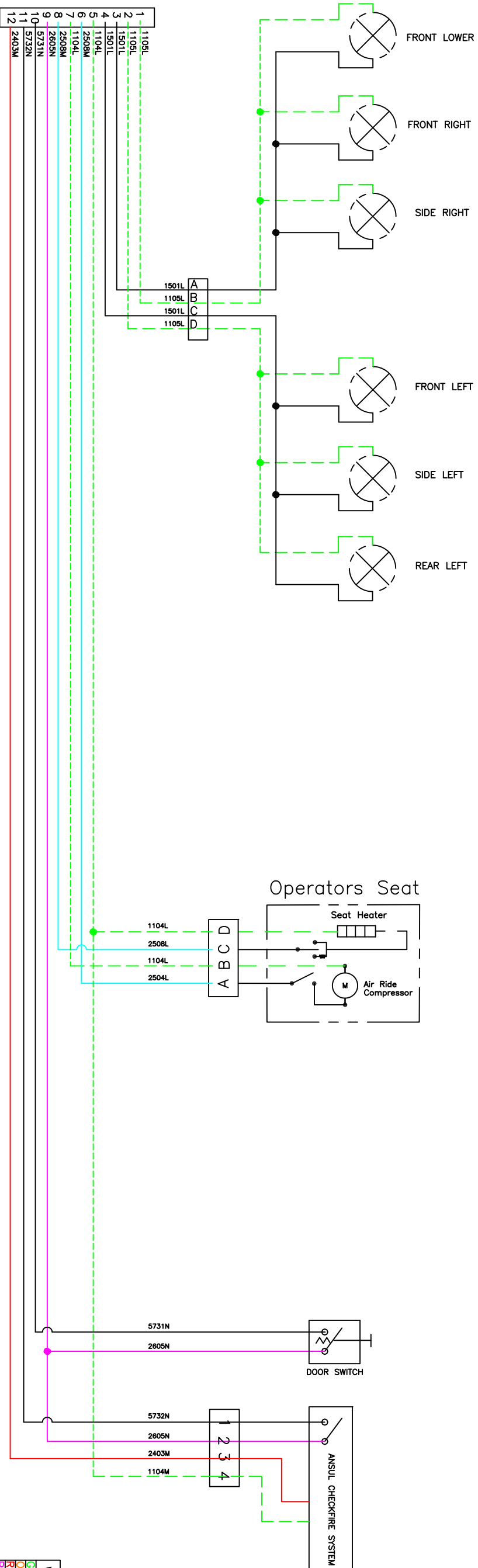


UPPER DASH



LOWER CAB HARNESS

See General & Part Numbers
of this drawing in Part 1 of the
Drawing. All parts are to be
shown in this drawing.
REVISIONS LIST IS SUBJECT TO
REVISIONS.

LETTER	WIRE SIZE	LOAD
A	1/2"	300
B	3/16"	300
C	2/0"	400
D	1/2"	100
E	1/2"	100
F	1/2"	100
G	1/2"	100
H	1/2"	100
I	1/2"	100
J	1/2"	100
K	1/2"	100
L	1/2"	100
M	1/2"	100
N	1/2"	100
O	1/2"	100
P	1/2"	100

- NOTES:
- 1) - ALL WIRES MUST BE SIZED ACCORDING TO SUFFIX LETTER CODE UNLESS OTHERWISE NOTED.
 - 2) - CABLE MUST BE LABELED WITH PART NUMBER AND REVISION LETTER.
 - 3) - CABLE MUST BE BRANDED AS INDICATED.
 - 4) - ○-○- INDICATES TWISTED WIRES FOR CAN/11939 COMMUNICATION.
 - 5) - ALL WIRES EXCEPT QUINCY SHALL BE BLACK JACKETED WITH WIRE PRINT INDICATING DATA WITH THE NUMBER SHOWN IN THIS DRAWING. WIRE NUMBER SHOULD BE PRINTED EVERY 3 TO 4 INCHES ALONG WIRE LENGTH.

TimberPro, INC
SHAWANO, WISCONSIN 54186

TITLE: CAB ELECTRICAL - "C" series

DESIGNED BY: JEFF

DATE: 10/20/12

SCALE:

Page 6

Wire Legend

GREEN	- Ground
ORANGE	- 12 Volt
RED	- 24 Volt Battery
PURPLE	- 100000 Power
LIGHT BLUE	- ACC Power
BLUE	- Heater/AC