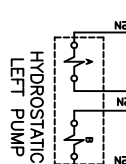
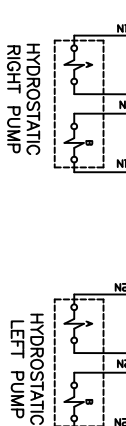
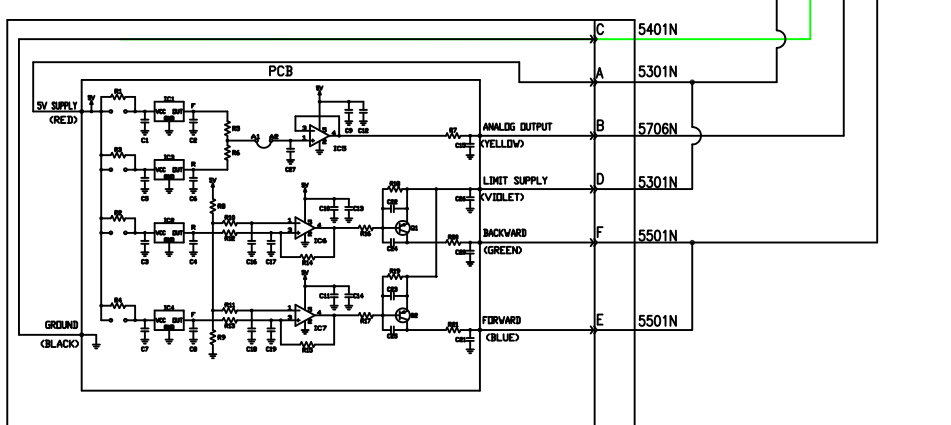
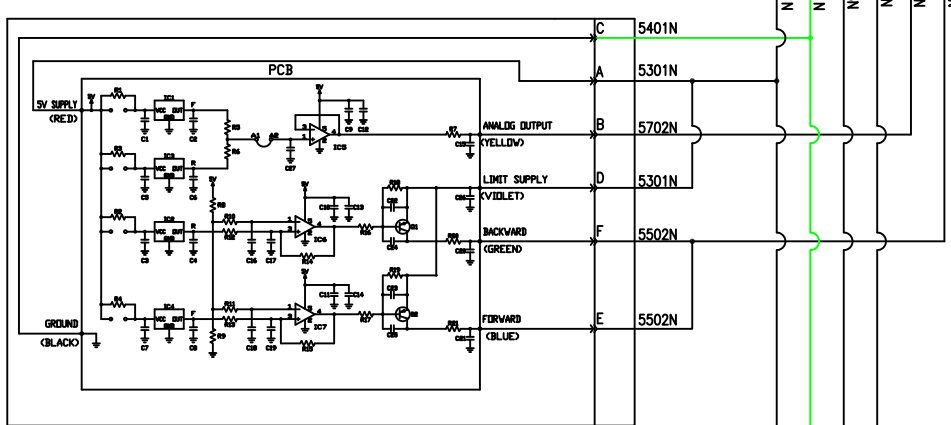


DATE: 08/29/14
 DRAWN BY: JEFF
 CHECKED BY: JEFF
 APPROVED BY: JEFF
 PART NUMBER: 54166

RIGHT TRAVEL PEDAL

LEFT TRAVEL PEDAL



Wire Legend

GREEN	- Ground
ORANGE	- 12 Volt
RED	- 24 Volt Battery
PURPLE	- Ignition Power
+ BLUE	- ACC Power
BLUE	- Heater/VAC

LETTER	WIRE SIZE	LOAD
A	1/8"	300-350
B	1/8"	300-350
C	1/8"	300-350
D	1/8"	300-350
E	1/8"	300-350
F	1/8"	300-350
G	1/8"	300-350
H	1/8"	300-350
I	1/8"	300-350
J	1/8"	300-350
K	1/8"	300-350
L	1/8"	300-350
M	1/8"	300-350
N	1/8"	300-350
O	1/8"	300-350
P	1/8"	300-350
Q	1/8"	300-350
R	1/8"	300-350

NOTES:
 1) - ALL WIRES MUST BE SIZED ACCORDING TO SUFFIX LETTER CODE UNLESS OTHERWISE NOTED.
 2) - CABLE MUST BE LABELED WITH PART NUMBER AND REVISION LETTER.
 3) - CABLE MUST BE BRANDED AS INDICATED.
 4) - ○-○- INDICATES TWISTED WIRES FOR CAN/J1939 COMMUNICATION.
 5) - ALL WIRES EXCEPT QUINCY SHALL BE BLACK JACKETED WITH WHITE PRINT INDICATING DATA WIRE PART NUMBER SHOWN IN THIS DRAWING. WIRE NUMBER SHOULD BE PRINTED EVERY 3 TO 4 INCHES ALONG WIRE LENGTH.

TITLE	MD4 MODULE - TRACK MACHINE
DRAWN BY	JEFF
CHECKED BY	JEFF
DATE	08/29/14
SCALE	
PAGE	2

TimberPro, INC
 SHAVANA, WISCONSIN 54166