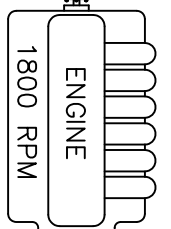
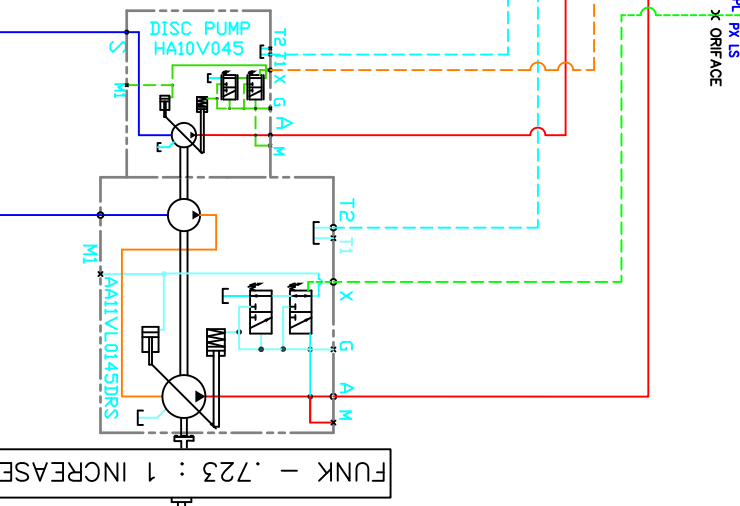
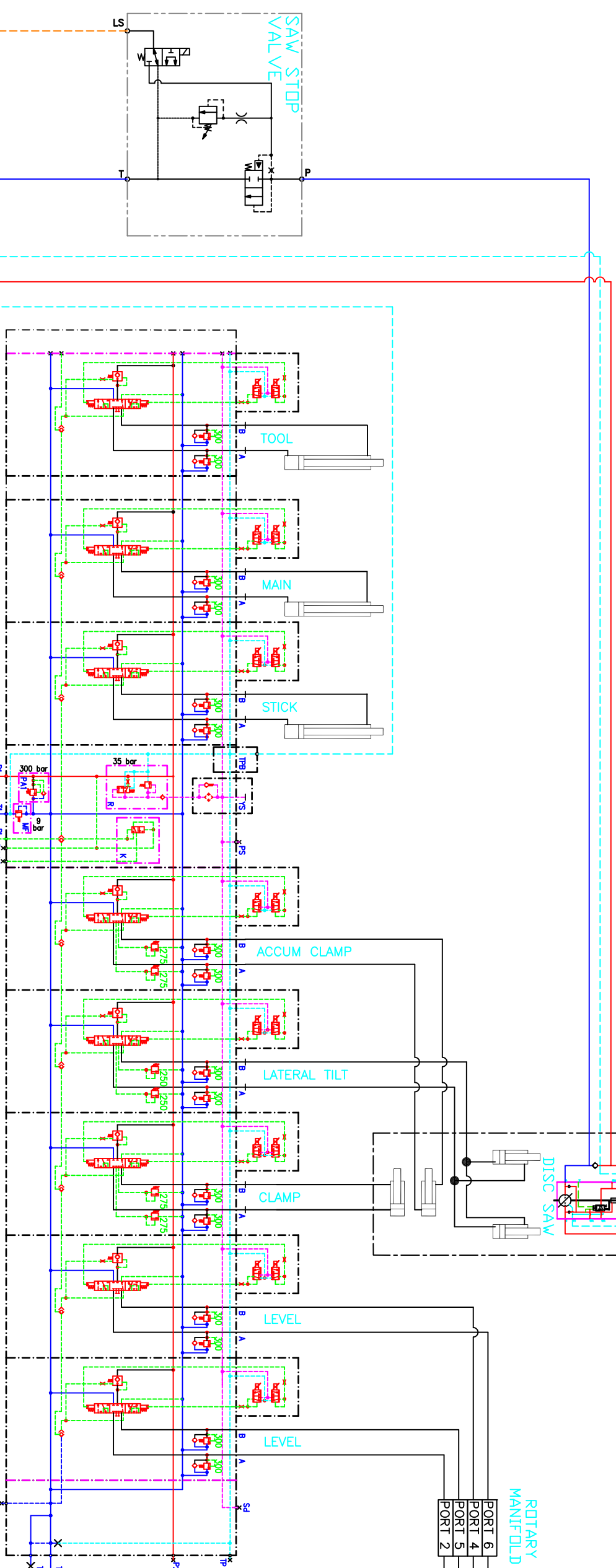
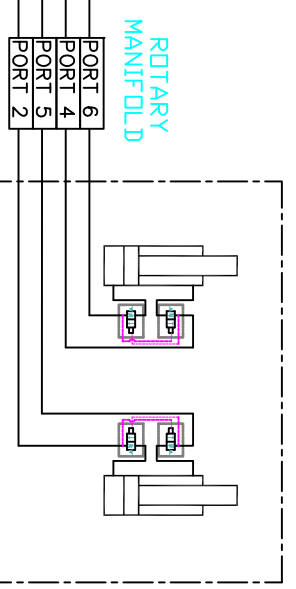
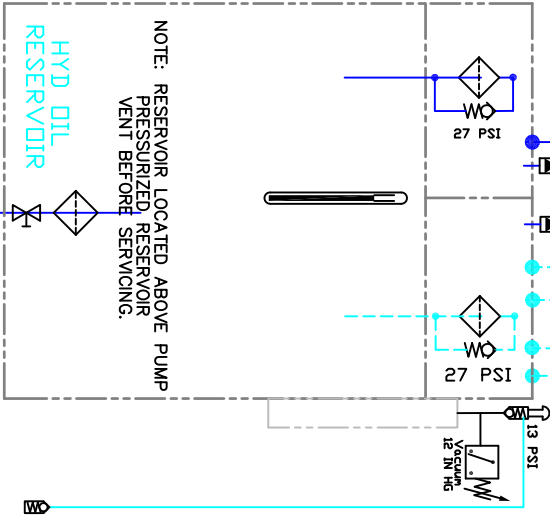


LOWER FRAME - LEVELING CYLINDERS



FUNK - .723 : 1 INCREASE

FAN, CHARGE AND HYDRO TRACK PUMP CIRCUITS ARE SHOWN ON SCHEMATIC 2 OF 2 "700C DRIVE SYSTEM HYDRAULICS"



NOTE: RESERVOIR LOCATED ABOVE PUMP PRESSURIZED RESERVOIR VENT BEFORE SERVICING.

THIS DRAWING IS THE PROPERTY OF TIMBERPRO, INC. IT IS TO BE USED ONLY FOR THE PROJECT AND SITE SPECIFICALLY IDENTIFIED HEREIN. ANY REUSE OR MODIFICATION WITHOUT WRITTEN CONSENT IS PROHIBITED.

| USER No. | DATE | DESCRIPTION |
|----------|----------|---------------------------|
| 1 | 11/01/08 | 700C IMPLEMENT HYDRAULICS |
| 2 | 11/01/08 | 700C IMPLEMENT HYDRAULICS |

| | | |
|---|----------|---------------------------|
| 1 | 11/01/08 | 700C IMPLEMENT HYDRAULICS |
| 2 | 11/01/08 | 700C IMPLEMENT HYDRAULICS |

TimberPro, Inc
1407 INDUSTRIAL DRIVE
SHAWANO, WISCONSIN 54186

TITLE: 700C IMPLEMENT HYDRAULICS
DRAWN BY: JEFF HUNTINGTON
DATE: 11/01/08
SCALE: NONE