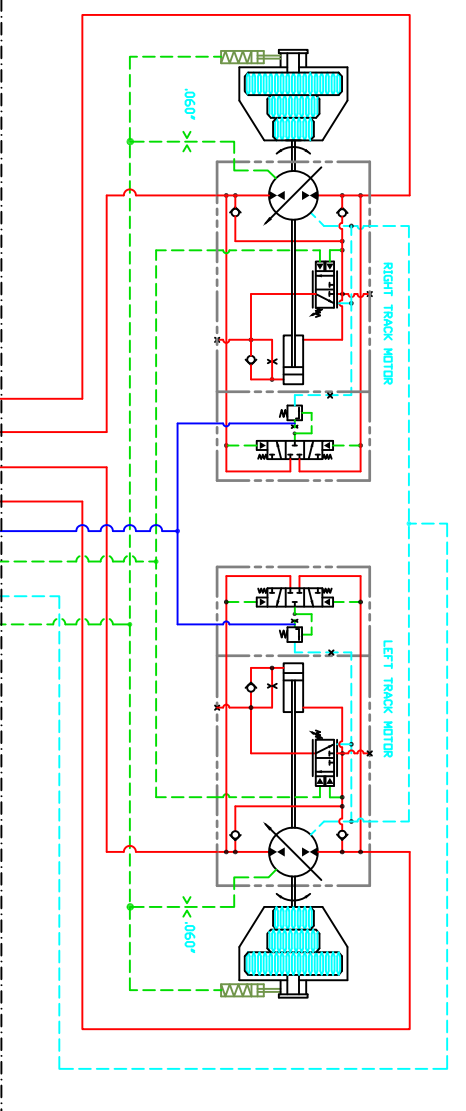
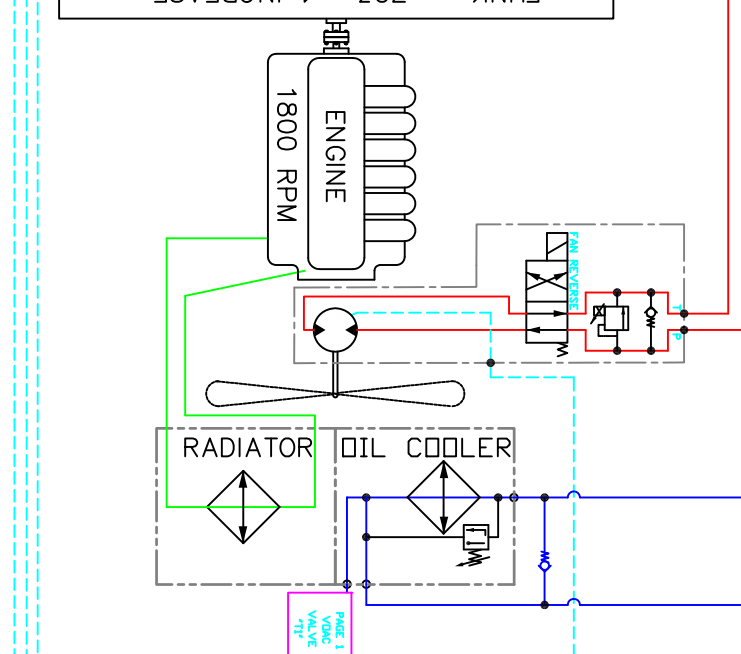
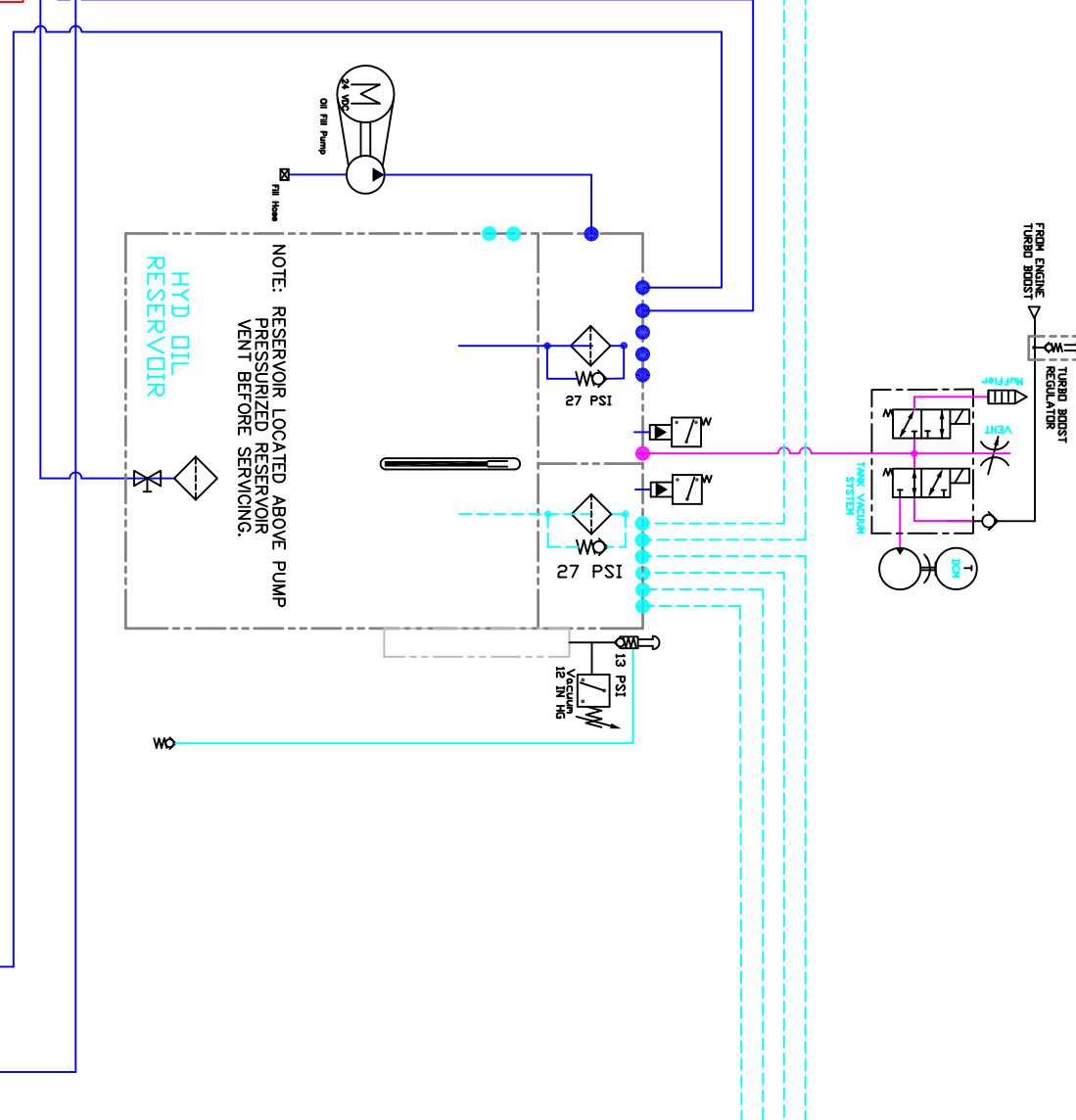
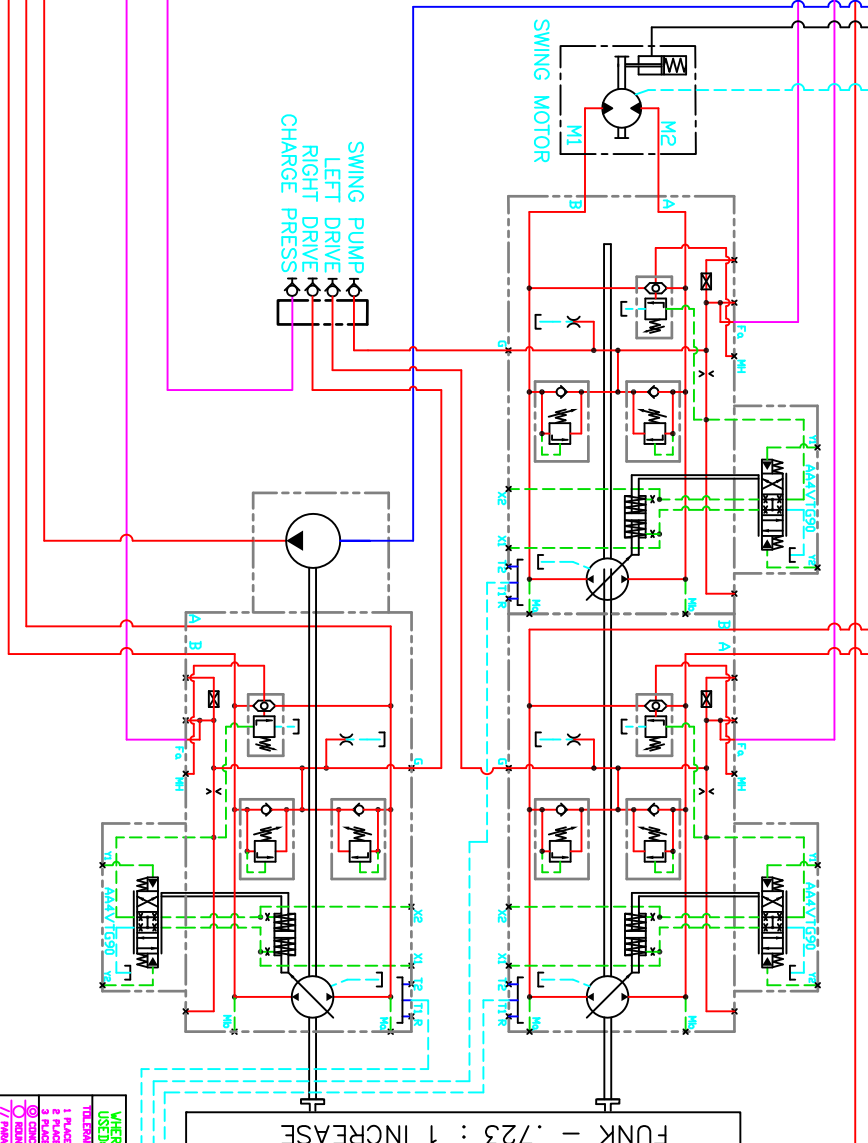
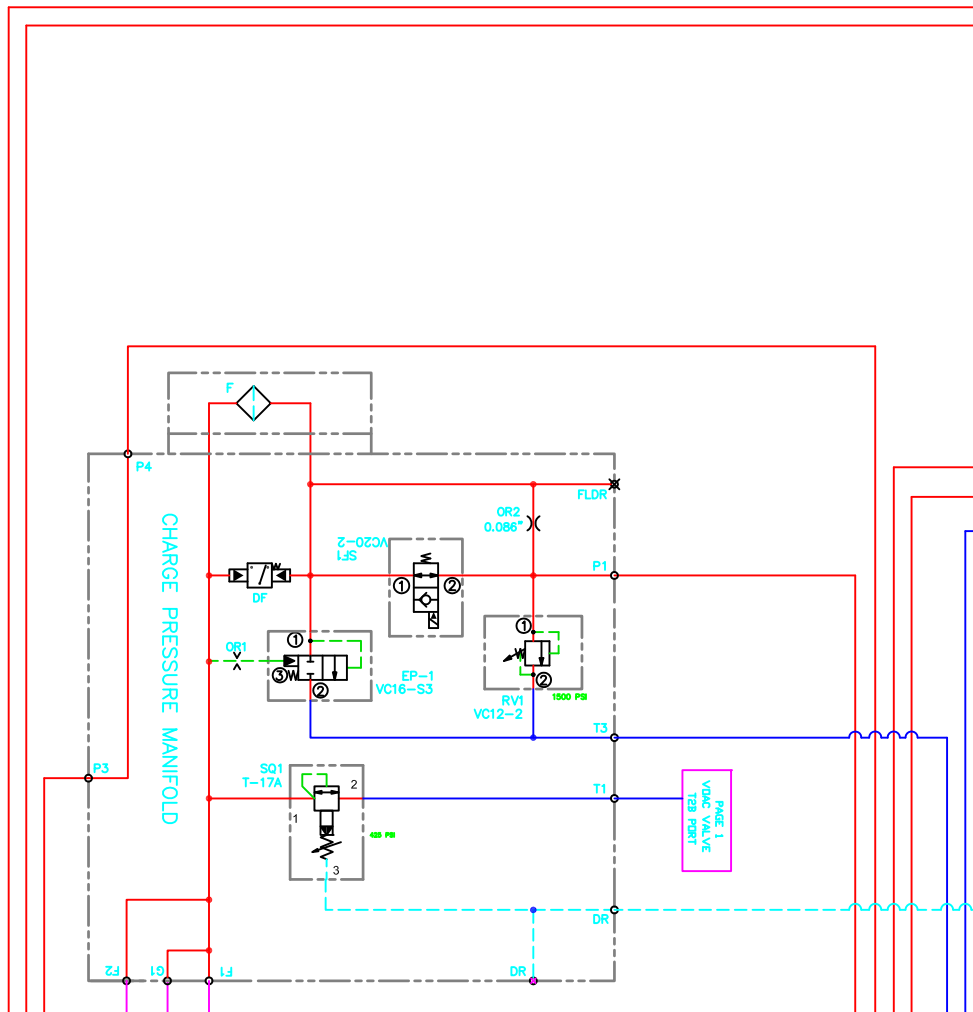
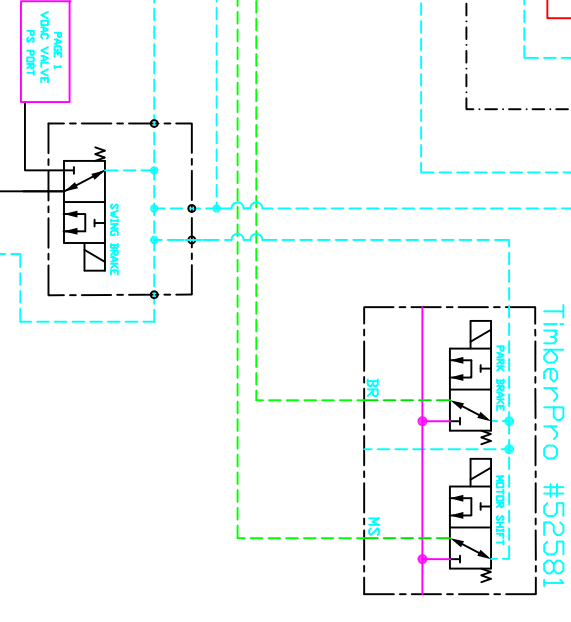


LOWER CARBODY



- FUEL
- FUEL
- Drain
- PORT 9
- PORT 11
- PORT 12
- PORT 7
- PORT 3
- PORT V1
- PORT 1



**TimberPro, Inc**  
 1407 INDUSTRIAL DRIVE  
 SHAWANO, WISCONSIN 54166

**700C Series DRIVE SYSTEM HYDRAULICS**

DATE: 10/01/14  
 SCALE: NONE

DESIGNER: JEFF HUNTINGTON  
 CHECKER: JEFF HUNTINGTON

REVISIONS:

NO.	DESCRIPTION	DATE
1	ISSUE FOR QUOTE	08/11/14
2	REVISED PER COMMENTS	10/01/14

UNLESS OTHERWISE SPECIFIED, DIMENSIONS ARE IN INCHES AND DECIMALS THEREOF ARE TO THE NEAREST HUNDREDTHS OF AN INCH. DIMENSIONS IN PARENTHESES ARE TO THE NEAREST THIRD OF AN INCH. DIMENSIONS IN BRACKETS ARE TO THE NEAREST SIXTEENTH OF AN INCH. DIMENSIONS IN SQUARE BRACKETS ARE TO THE NEAREST SIXTEENTH OF AN INCH. DIMENSIONS IN DIAMETERS ARE TO THE NEAREST THIRD OF AN INCH. DIMENSIONS IN SQUARE BRACKETS ARE TO THE NEAREST SIXTEENTH OF AN INCH. DIMENSIONS IN DIAMETERS ARE TO THE NEAREST THIRD OF AN INCH. DIMENSIONS IN SQUARE BRACKETS ARE TO THE NEAREST SIXTEENTH OF AN INCH. DIMENSIONS IN DIAMETERS ARE TO THE NEAREST THIRD OF AN INCH.