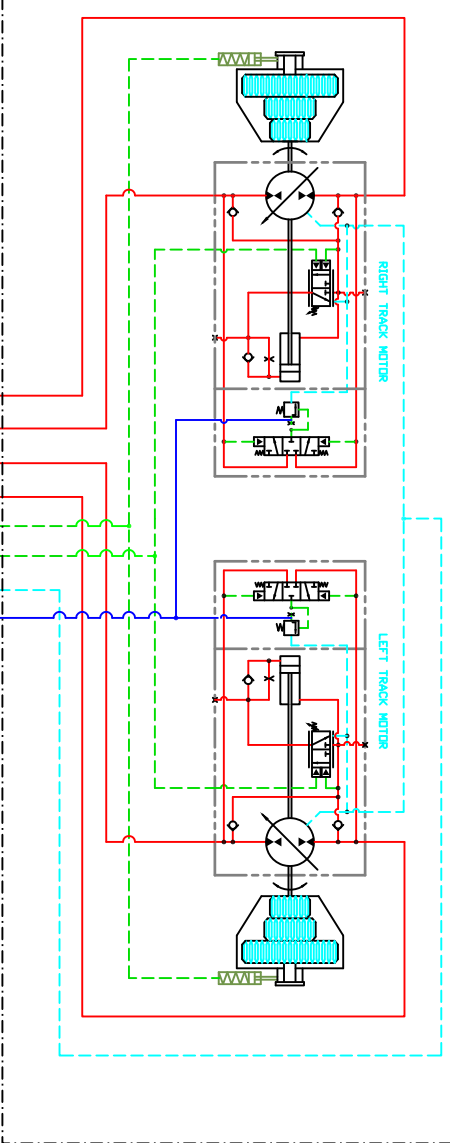
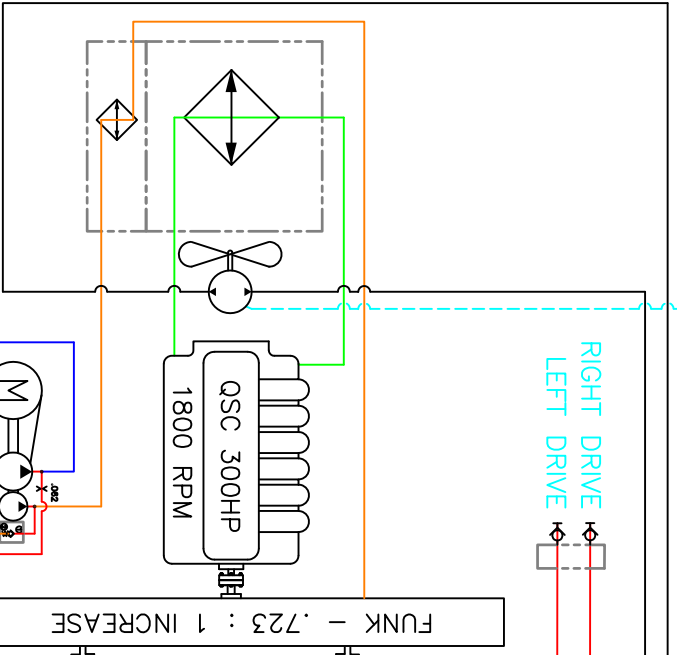
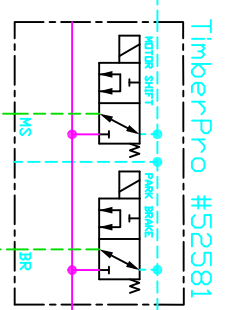


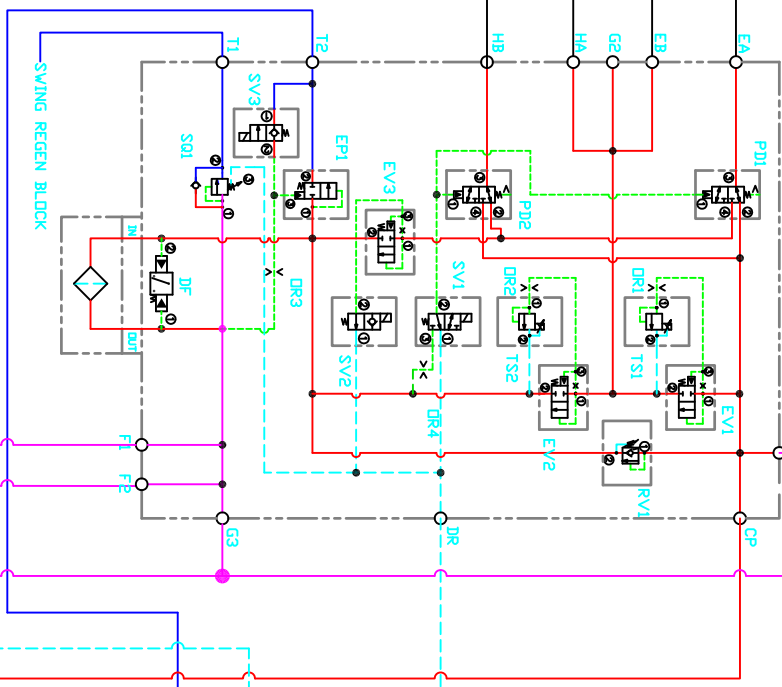
LOWER CARBODY



- FUEL
- FUEL
- Drain
- PORT 9
- PORT 11
- PORT 10
- PORT 12
- PORT 7
- PORT 3
- PORT V1
- PORT 1



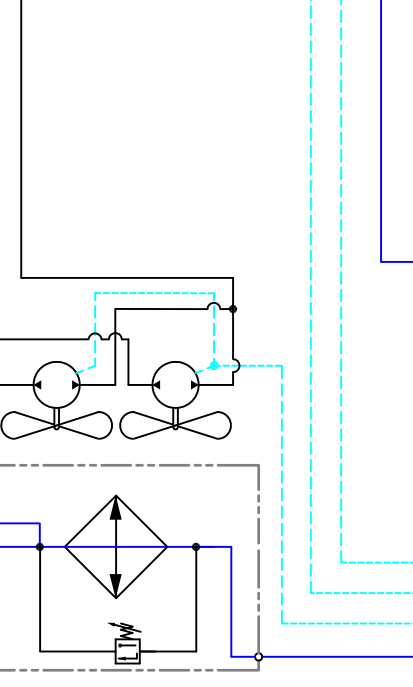
CHARGE/FAN MANIFOLD



CHARGE HEATER
CHARGE PRESSURE

NOTE: RESERVOIR LOCATED ABOVE PUMP
PRESSURIZED RESERVOIR
VENT BEFORE SERVICING.

HYD OIL
RESERVOIR



WHERE USED	No.	DESCRIPTION
1	1	1 PLACE RESERVOIR
2	2	2 PLACE RESERVOIR
3	3	3 PLACE RESERVOIR
4	4	4 PLACE RESERVOIR
5	5	5 PLACE RESERVOIR
6	6	6 PLACE RESERVOIR
7	7	7 PLACE RESERVOIR
8	8	8 PLACE RESERVOIR
9	9	9 PLACE RESERVOIR
10	10	10 PLACE RESERVOIR
11	11	11 PLACE RESERVOIR
12	12	12 PLACE RESERVOIR
13	13	13 PLACE RESERVOIR
14	14	14 PLACE RESERVOIR
15	15	15 PLACE RESERVOIR
16	16	16 PLACE RESERVOIR
17	17	17 PLACE RESERVOIR
18	18	18 PLACE RESERVOIR
19	19	19 PLACE RESERVOIR
20	20	20 PLACE RESERVOIR
21	21	21 PLACE RESERVOIR
22	22	22 PLACE RESERVOIR
23	23	23 PLACE RESERVOIR
24	24	24 PLACE RESERVOIR
25	25	25 PLACE RESERVOIR
26	26	26 PLACE RESERVOIR
27	27	27 PLACE RESERVOIR
28	28	28 PLACE RESERVOIR
29	29	29 PLACE RESERVOIR
30	30	30 PLACE RESERVOIR
31	31	31 PLACE RESERVOIR
32	32	32 PLACE RESERVOIR
33	33	33 PLACE RESERVOIR
34	34	34 PLACE RESERVOIR
35	35	35 PLACE RESERVOIR
36	36	36 PLACE RESERVOIR
37	37	37 PLACE RESERVOIR
38	38	38 PLACE RESERVOIR
39	39	39 PLACE RESERVOIR
40	40	40 PLACE RESERVOIR
41	41	41 PLACE RESERVOIR
42	42	42 PLACE RESERVOIR
43	43	43 PLACE RESERVOIR
44	44	44 PLACE RESERVOIR
45	45	45 PLACE RESERVOIR
46	46	46 PLACE RESERVOIR
47	47	47 PLACE RESERVOIR
48	48	48 PLACE RESERVOIR
49	49	49 PLACE RESERVOIR
50	50	50 PLACE RESERVOIR

THIS DRAWING IS THE PROPERTY OF TIMBERPRO, INC. AND IS NOT TO BE REPRODUCED OR TRANSMITTED IN ANY FORM OR BY ANY MEANS, ELECTRONIC OR MECHANICAL, INCLUDING PHOTOCOPYING, RECORDING, OR BY ANY INFORMATION STORAGE AND RETRIEVAL SYSTEM. ALL RIGHTS RESERVED.