

Timbco TF820-C

Built By Loggers For Loggers

- ★ 20-Ton Load Capacity
- ★ Full 360° Loader Operation
- ★ 8-Wheel Drive



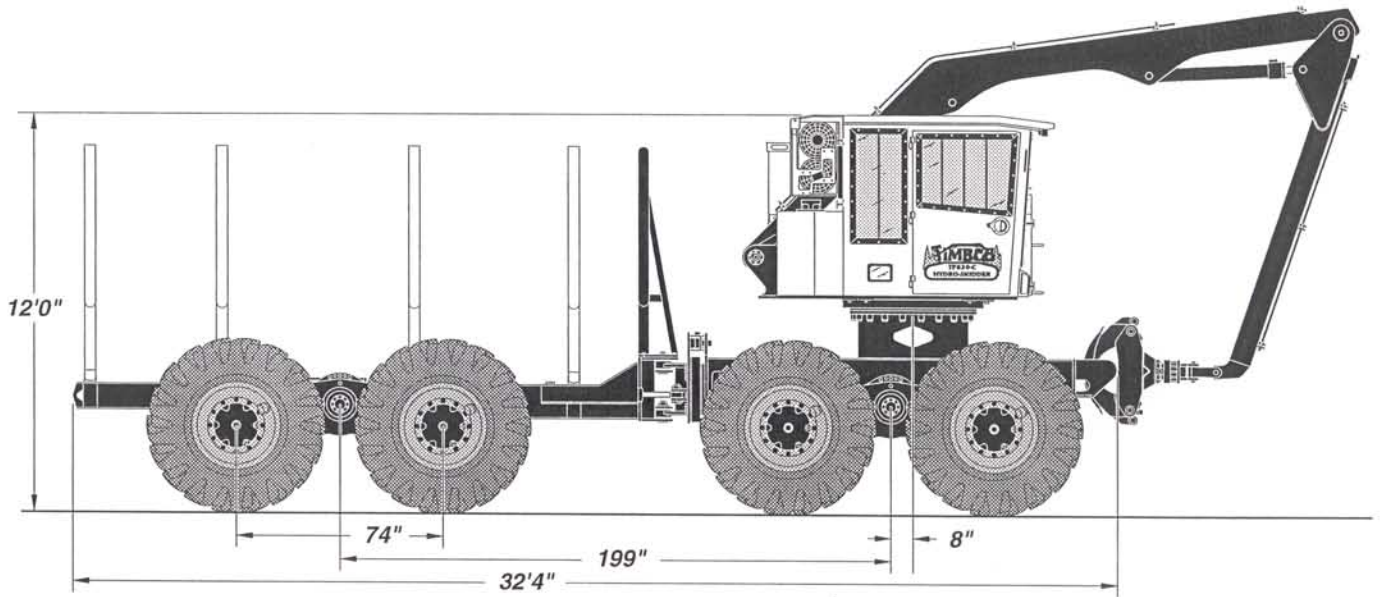
Base Machine Weight*:	
Forwarder Configuration	48,400 lb.
	[32,960 lb. (Front) 15,440 lb. (Rear)]
Clam Bunk Configuration	49,500 lb.
	[32,760 lb. (Front) 16,740 lb. (Rear)]
Load Capacity	40,000 lb.
Steering	44° Both Directions
Turning Diameter	66'
	(Measured across outside rear wheels)
Width:	
Wheel Rims Turned In	9'7"
Wheel Rims Turned Out	10'10"
Tires	Firestone 28L-26/12 ply
Boom Reach	25'
Lift Capacity	9,100 lb. @ 10'
	(Without attachment)
Grapple	Hultdins Supergrip 360 w/Rotator
	(Grapple weight is 700 lb.)
Engine:	
Standard	Cummins B-Series 200 HP
	Cummins C-Series 260 HP
	Caterpillar 3126T 230 HP

Power Transmission	Hydrostatic
Implement Pump	Vickers PVH98 55 GPM
Implement Valve	Rexroth MP18/22 Electro Hydraulic
Axles	(2) N.A.F. Gear Drive Dual Bogie w/Axle Lockout
Wheel Drive Pump	Rexroth 180cc
Wheel Drive Motor	Rexroth 160cc
	(Variable Between 70cc & 160cc)
Gearbox	N.A.F. 2-Speed
	(6.55 : 1 & 1.84 : 1 Gear Ratios)
Speeds:	
Top Speed Low Range	TBA
Top Speed High Range	TBA
Drawbar	TBA

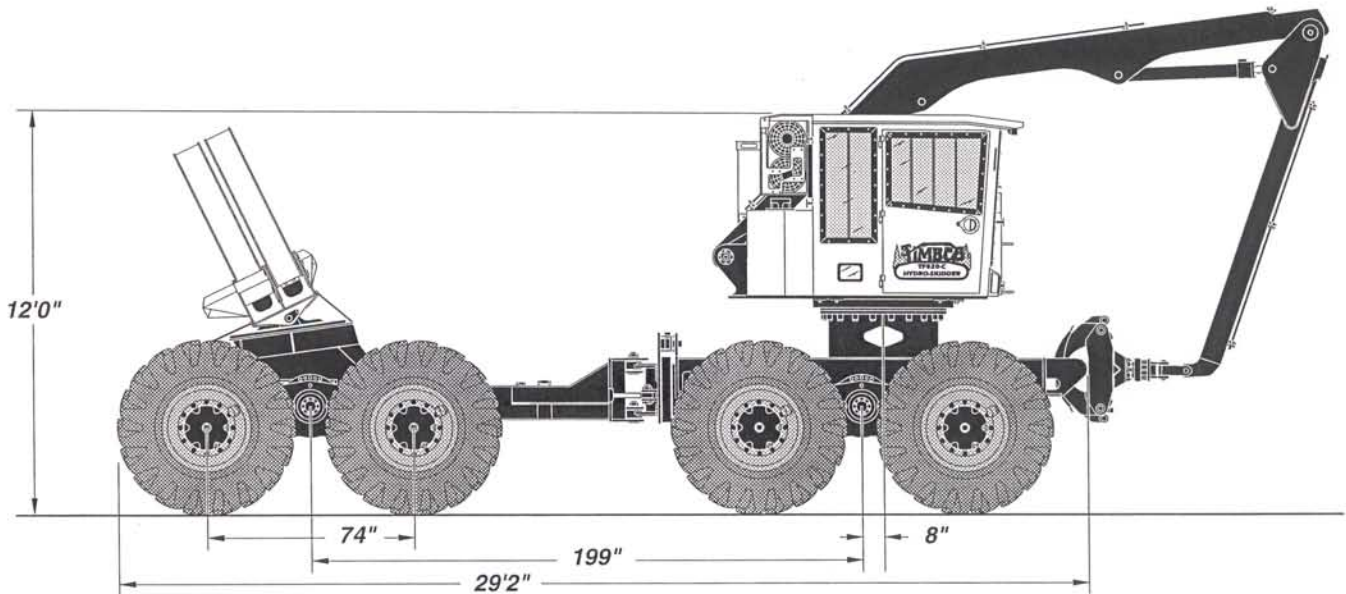
* Approximate "woods-ready" empty operating weight, fully serviced including 1/2 full fuel tank (50 gal. @ 410 lb.) and 175 lb. operator.



TF820-C Forwarder Configuration



TF820-C Clam Bunk Configuration



Ground Pressure Data

(Empty)

Forwarder Configuration:

- Front 8.93 psi
- Rear 4.18 psi

Clam Bunk Configuration:

- Front 8.87 psi
- Rear 4.53 psi

Lift Capacities

(Without attachment)

- 25 ft. Radius 3,000 lb.
- 20 ft. Radius 4,900 lb.
- 15 ft. Radius 6,500 lb.
- 10 ft. Radius 9,100 lb.

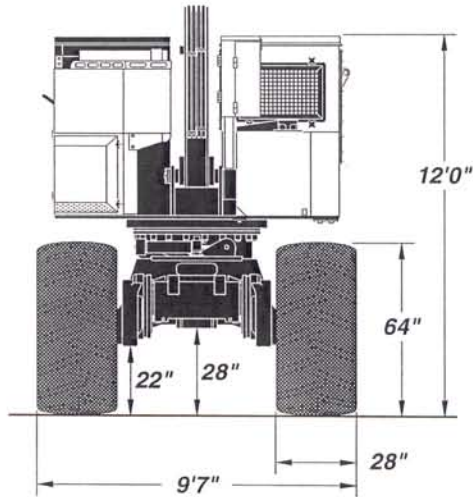
Sold and Serviced By:



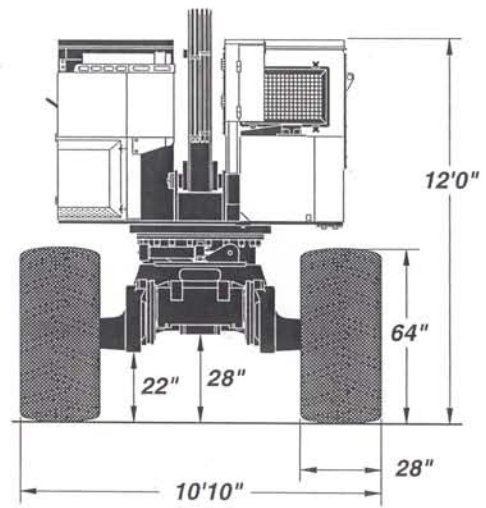
Timbco TF820-C

Wheel Combinations

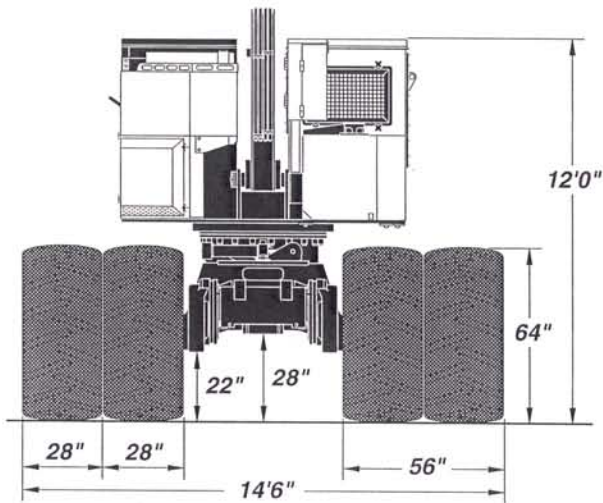
Standard 28L-26 (8 wheels - rim dish in)



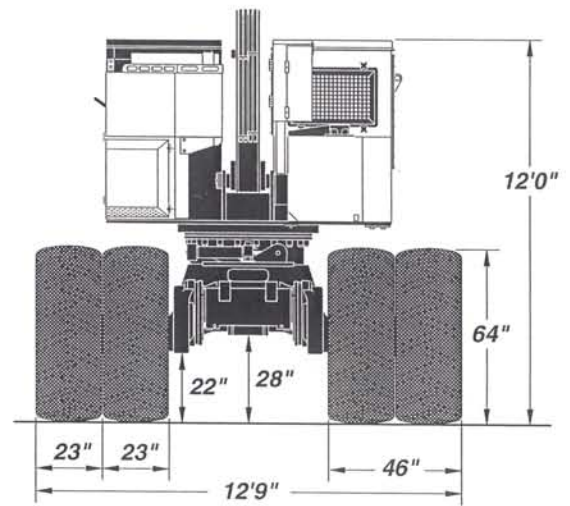
Standard 28L-26 (8 wheels - rim dish out)



Optional 28L-26 Dual (16 wheels)



Optional 23.1-26 Dual (16 wheels)



Ground Pressure Data

	28L-26 (rims in)	28L-26 (rims out)	28L-26 Dual	23.1-26 Dual
<i>(Empty)</i>				
Forwarder Configuration:				
• Front	8.93 psi	8.93 psi	4.96 psi	5.81 psi
• Rear	4.18 psi	4.18 psi	2.59 psi	2.93 psi
Clam Bunk Configuration:				
• Front	8.87 psi	8.87 psi	4.94 psi	5.78 psi
• Rear	4.53 psi	4.53 psi	2.77 psi	3.14 psi

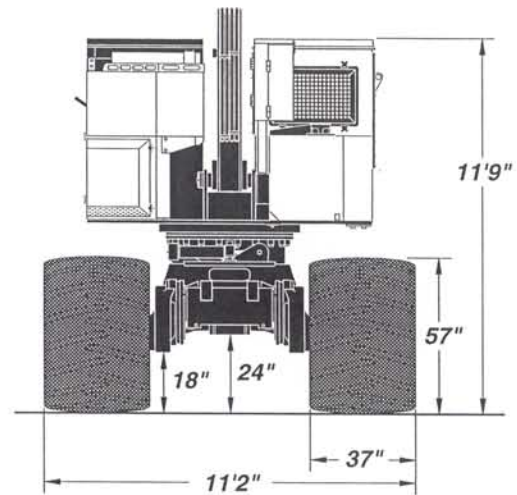
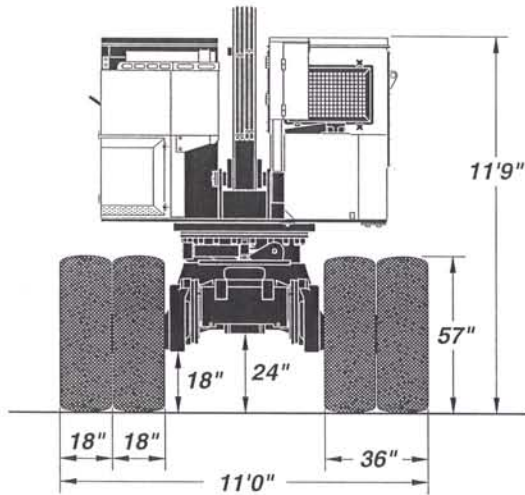


Timbco TF820-C

Wheel Combinations (Cont'd)

Optional 18.4-26 Dual (16 wheels)

Optional 54x37-25 Single (8 wheels)



Ground Pressure Data

	<i>(Empty)</i>	
	18.4-26 Dual	54x37-25
Forwarder Configuration:		
• Front	8.75 psi	9.05 psi
• Rear	4.09 psi	4.29 psi
Clam Bunk Configuration:		
• Front	8.70 psi	9.00 psi
• Rear	4.44 psi	4.65 psi

