

Timbco TF815

Built By Loggers For Loggers

- ★ 16 Ton Load Capacity
- ★ Full 360° Loader Operation
- ★ 8 Wheel Drive



Timbco TF815 shown in Forwarder configuration.

Empty Weight 40,000 lbs.
 30,000 lbs. (Front) 10,000 lbs. (Rear)

Load Capacity 32,000 lbs.

Steering 44° Both Directions

Turning Diameter 53'
 (Measured across outside rear wheels)

Width 9'5"

Tires 700/50 - 26.5

Boom Reach 25'

Lift Capacity 9,100 lbs. @ 10' Radius
 (Without attachment)

Grapple Hultins Supergrip 360 w/Rotator
 (Grapple weight is 700 lbs.)

Engine:
 Standard Cummins B-Series 200 HP
 Optional Caterpillar 3126T 250 HP

Power Transmission Hydrostatic

Implement Pump Vickers PVH98 55 GPM

Implement Valve Voac Electro Hydraulic

Axles (2) N.A.F. Chain Drive Dual Bogie
 w/Axle Lockout

Wheel Drive Pump Rexroth 125cc

Wheel Drive Motor Rexroth 160cc
 (Variable Between 70cc & 160cc)

Gearbox N.A.F. 2-Speed
 (6.55 : 1 & 1.84 : 1 Gear Ratios)

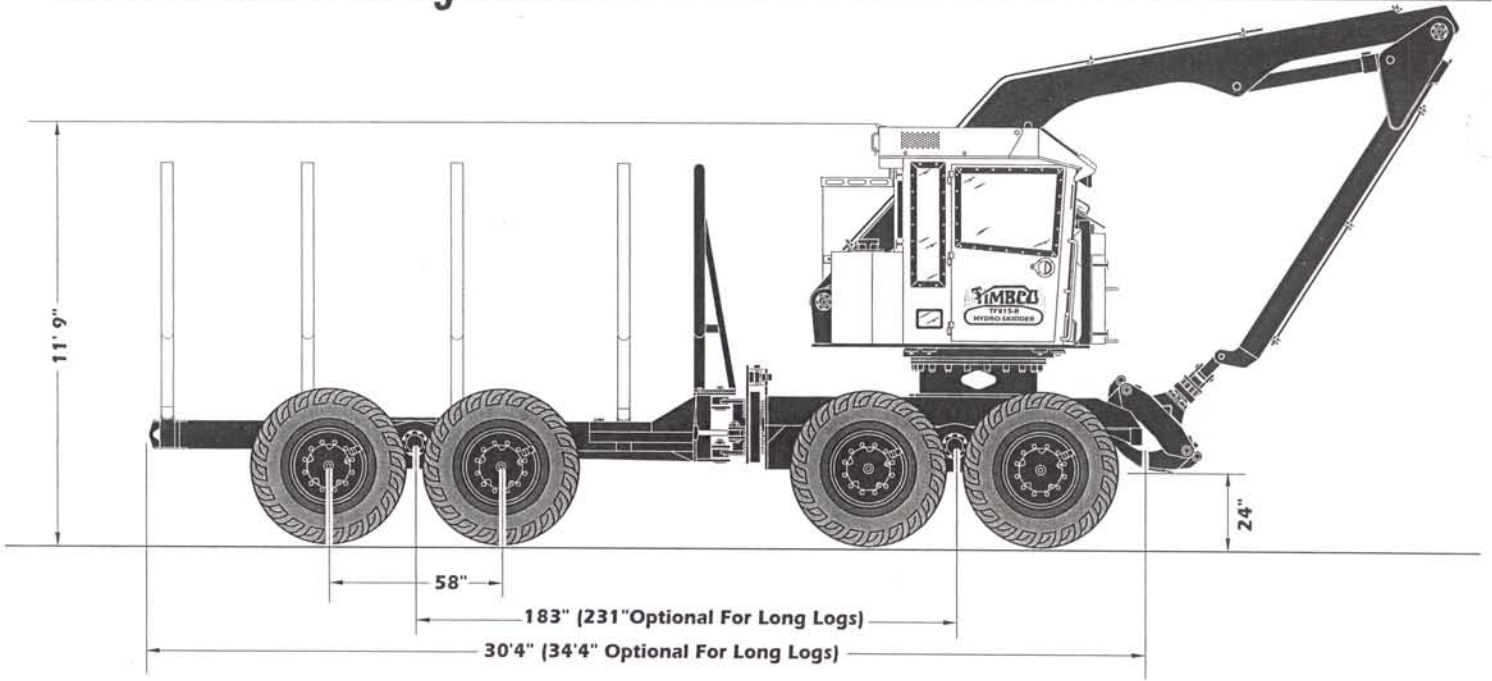
Speeds:
 Top Speed Low Range 4.26 MPH
 Top Speed High Range 12.18 MPH

Drawbar 43,000 lbs.

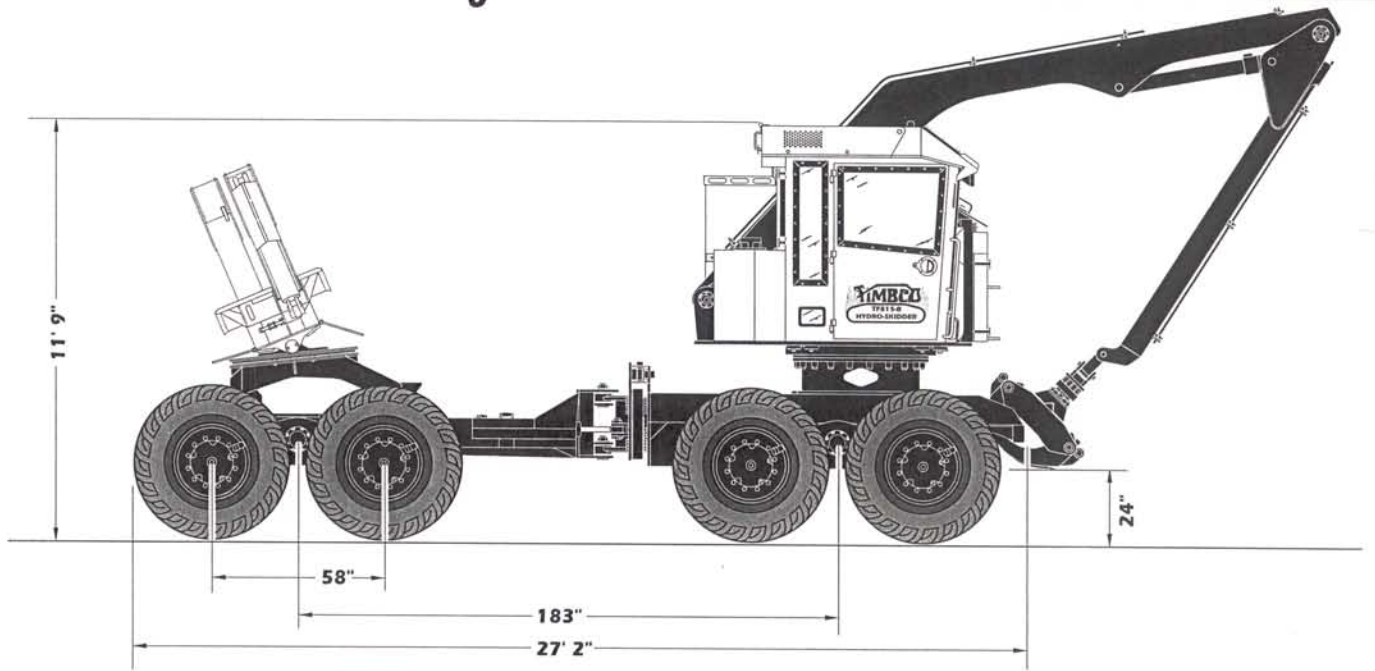
Call (715) 524-2820 for location of your
 nearest dealer and how to obtain a free
 video featuring this machine.



TF815 Forwarder Configuration



TF815 Clam Bunk Skidder Configuration



Ground Pressure Data

(Empty)

• Front	8.3 psi
• Front with Track Chains	6.4 psi
• Rear	2.8 psi
• Rear with Track Chains	2.2 psi

Lift Capacities

(Without attachment)

• 25 FT. Radius	3,000 lbs.
• 20 FT. Radius	4,900 lbs.
• 15 FT. Radius	6,500 lbs.
• 10 FT. Radius	9,100 lbs.

Sold and Serviced By:

